

GENERAL NOTES

- CONTRACTOR SHALL NOTIFY UNDERGROUND SERVICE ALERT OF SOUTHERN CALIFORNIA AT PHONE NUMBER 811 AT LEAST 48 WORKING HOURS PRIOR TO BREAKING GROUND PER CALIFORNIA GOVERNMENT CODE SECTION 4216.
- CONTRACTOR SHALL NOTIFY LBWD INSPECTION AT (562) 244-9334 48-HOURS PRIOR TO START OF CONSTRUCTION.
- CONTRACTOR SHALL VERIFY EACH POINT OF CONNECTION IN THE FIELD, INCLUDING PIPE MATERIAL AND DEPTH.
- WATER SERVICE DEPTH SHALL HAVE COVER BETWEEN 36 AND 45 INCHES. IF EXISTING MAIN IS DEEPER THAN 45 INCHES, THE TRANSITION SHALL BE ACCOMPLISHED WITH A FLANGED 45° BEND CONNECTED TO THE TAPPING VALVE.
- ALL BURIED FITTINGS AT FLANGED CONNECTIONS, VALVES, COUPLINGS, WASHERS, AND DI PIPE SHALL BE COATED WITH NO-OX-ID 'A-SPECIAL' GREASE COMPOUND AND WRAPPED WITH NO-OX-ID PROTECTIVE WRAP. THE ENTIRE ASSEMBLY SHALL BE ENCASED WITH 8-MIL POLYETHYLENE WRAP AND SECURED WITH 10-MIL PIPE WRAP TAPE.
- THRUST RESTRAINING GASKETS SHALL BE USED IN ALL PUSH-ON JOINTS. THRUST BLOCKS SHALL BE INSTALLED AT ALL BURIED VERTICAL AND HORIZONTAL BENDS PER WDS-107. CONCRETE SHALL BE PER SSPWC 600-C-2500. PLACE THRUST BLOCKS AGAINST UNDISTURBED SOIL.
- HYDROSTATIC TEST SHALL BE PERFORMED AT 150 PSI FOR A DURATION OF NO LESS THAN 2 HOURS. HYDROSTATIC AND BACTERIOLOGICAL TESTS SHALL BE COMPLETED AND ACCEPTED PRIOR TO CONSTRUCTING SYSTEM TIE-INS.
- AN EASEMENT SHALL BE DEDICATED TO THE L.B.W.D. TO PERMIT MAINTENANCE OF THE DEVICE. THE EASEMENT SHALL BE 10 FEET WIDE AND 5 FEET BEYOND THE SPOOL PIECE (MINIMUM).
- ALL CONSTRUCTION SHALL BE PER THIS APPROVED CONSTRUCTION DRAWING AND APPROVED MATERIALS LIST.
- CONTRACTOR SHALL HAVE A COPY OF APPROVED DESIGN PLAN AND MATERIALS SUBMITTALS ON SITE AT ALL TIMES. FAILURE TO COMPLY SHALL RESULT IN LBWD INSPECTORS STOPPING ALL WORK AT THE CONTRACTOR'S EXPENSE.
- CONTRACTOR SHALL RECORD DATA ON VALVE INFORMATION TABLE, ALL FIELD CHANGES, AND PROVIDE SIGNED 'AS-BUILT' DRAWING TO THE SATISFACTION OF LBWD PRIOR TO PROJECT CLOSE-OUT.
- NON-POTABLE PIPELINE CROSSINGS SHALL BE INSTALLED IN ACCORDANCE WITH LBWD STD. WDS-405.
- LATERALS THAT CROSS PIPELINES REGULATED UNDER § 64572, WATER MAIN SEPARATION, OF TITLE 22 CCR, AT THE OPTION OF LBWD: PRIOR TO CONSTRUCTION, ENGINEER SHALL INCLUDE A SCALE ELEVATION (TYPICALLY 1" = 4' HORIZONTALLY AND VERTICALLY) SHOWING ALL UTILITIES CROSSED, AND HOW THE PROPOSED PIPELINE WILL MEET THE SEPARATION CRITERIA

CONSTRUCTION NOTES

- TAP EXIST. X" {MAT} PIPE WITH X" X X" LONG-BODY STAINLESS STEEL TAPPING SLEEVE (FIELD VERIFY POINT OF CONNECTION.)
- INSTALL THRUST BLOCK PER WDS-107.
- INSTALL X" FLG. VALVE NO. ___-WVA-___.
- INSTALL GATE BOX TO GRADE PER WDS-115, WDS-116, & WDS-119.
- INSTALL X" FLG. X P.O. CONNECTING PIECE.
- INSTALL X" P.O. DIP (CLASS 52); TRENCH & BACKFILL PER WDS-406. INSTALL TEMPORARY STEEL PLATES PER WDS-128.
- INSTALL X" X 90° FLG. BEND.
- INSTALL X" FABRICATED DIP SPOOL (CLASS 53).
- SET X" {AMES 3000SS OR FEBCO LF876V} DOUBLE CHECK DETECTOR ASSEMBLY. PROVIDE CHAINS FOR LOCKING HAND WHEELS.
- INSTALL 24" DIP SPOOL (CLASS 53). POINT OF CONNECTION FOR C-16 FIRE PROTECTION CONTRACTOR. THEY SHALL INSTALL TEST PLATE TO STAY IN PLACE UNTIL AFTER COMPLETION OF ON-SITE PRESSURE TESTING.
- INSTALL METER SUPPORT SLAB PER WDS-010.
- INSTALL PIPE STANDS PER WDS-008.
- TEMPORARY SPOOL AND BLOW-OFF VALVE REQUIRED ONLY DURING TESTING.

AS-BUILT DRAWING SUBMISSION

I CERTIFY THAT THE INFORMATION PROVIDED HEREON REFLECTS ALL FIELD CHANGES, AS-BUILT CONDITIONS, AND THAT THE VALVE INFORMATION TABLE IS PROPERLY FILLED OUT.

NAME _____ DATE _____

NAME _____ DATE _____

OWNER REVIEW

NAME _____ DATE _____

APPROVED:

FIRE LIFE SAFETY PLAN CHECK NO. _____ DATE _____

VALVE INFORMATION TABLE

NEW VALVE	SIZE (IN.)	MAKE (MFG.)	STEM DEPTH	NO. OF TURNS	PIPE COVER	NORTH - SOUTH STREET	DIST. FROM PROP. LINE	DIST. FROM CURB	EAST - WEST STREET	DIST. FROM PROP. LINE	DIST. FROM CURB	DRAWING/FILE NO. REMARKS
___-WVA-___	X					XXXXXX AVENUE			E. XXXXX ST.			EO-XXXX, FL

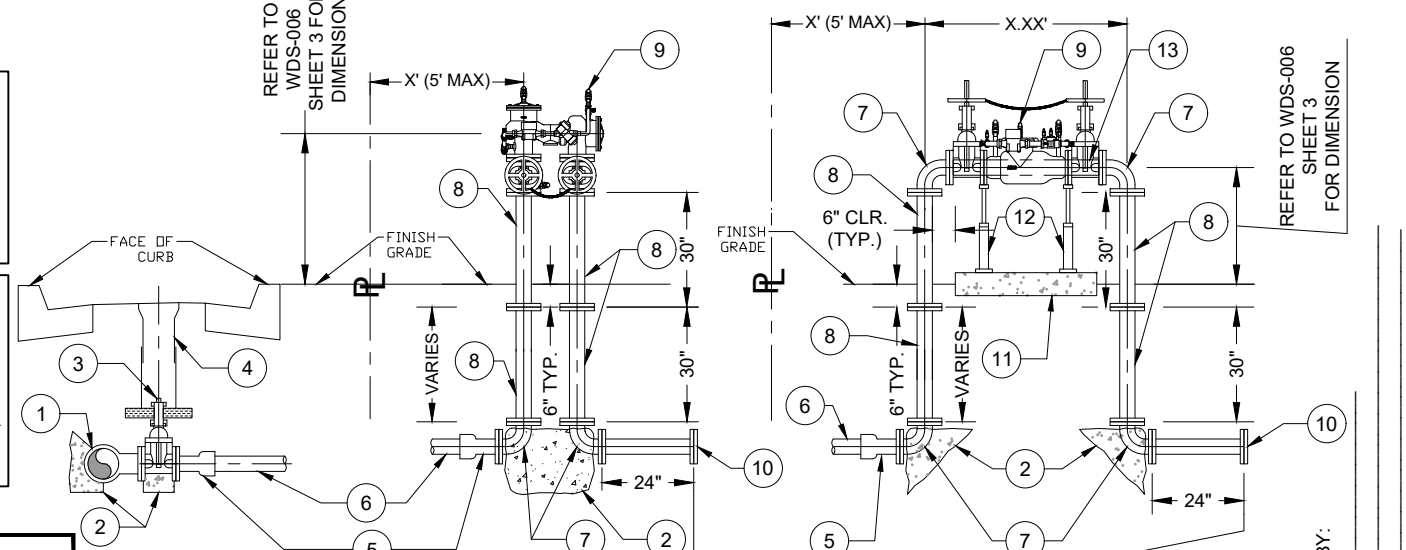
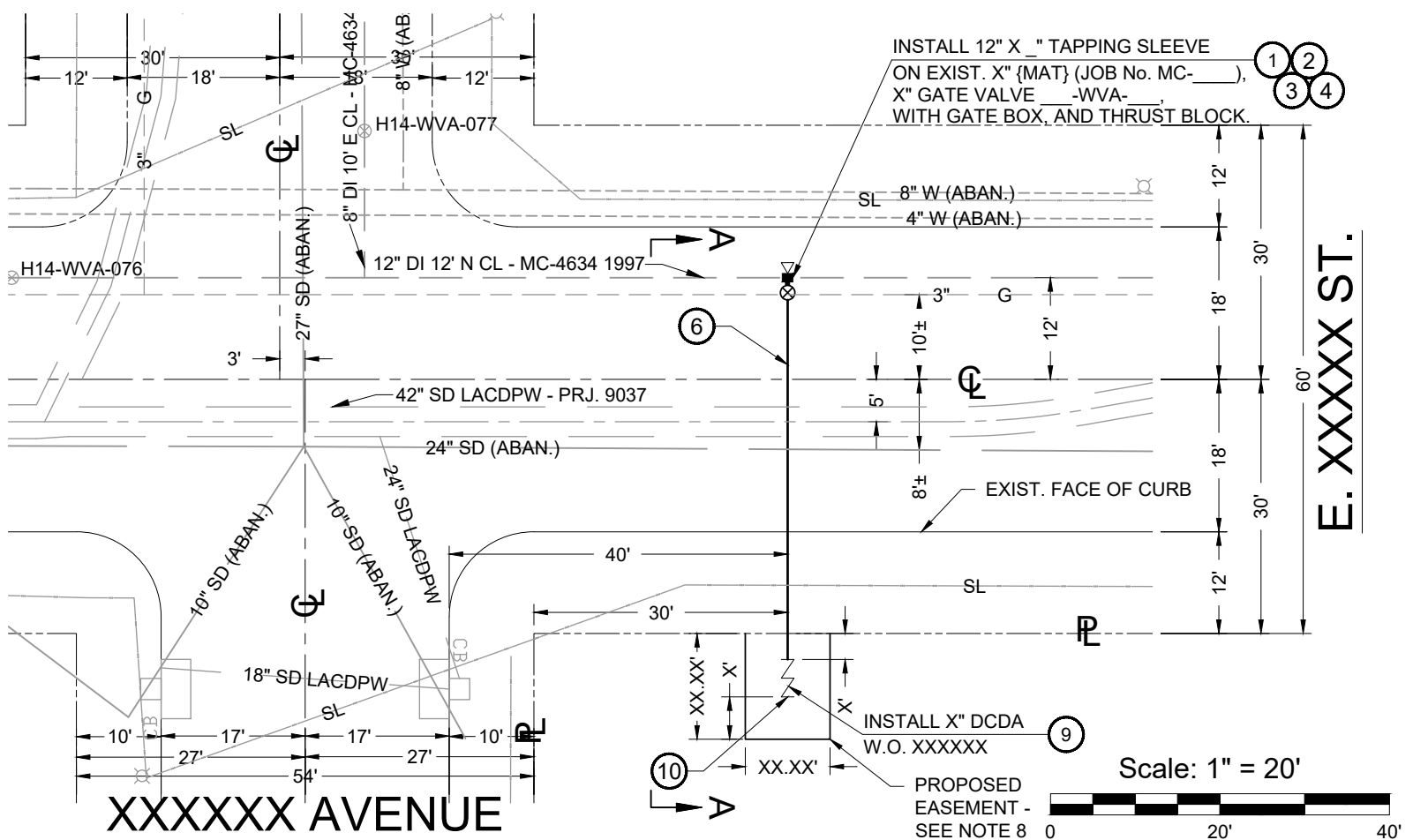
METER LOCATION

W.O. _____
 _____ FT. E/W PL
 _____ FT. S/N PL



ELEVATION A-A

{ SCALE: 1" = X' / N.T.S. }



DESIGNED BY: NAME - DATE DRAWN BY: NAME - DATE CHECKED BY: NAME DATE RECORD DWG BY: _____ SCALE: 1" = 20' ATLAS NO.: ### FILE: **EO-XXXX**

APPROVED _____
 MANAGER OF ENGINEERING DATE _____

LONG BEACH WATER DEPARTMENT
 CHRISTOPHER J. GARNER
 GENERAL MANAGER

X-INCH FIRELINE SERVICE
 (BUSINESS NAME)
 ### E. XXXXX STREET

FAMIS PROJECT CODE: **XXX###**
 MUNIS PROJECT CODE: **#####**
 SHEET 1 OF 1 SHEET