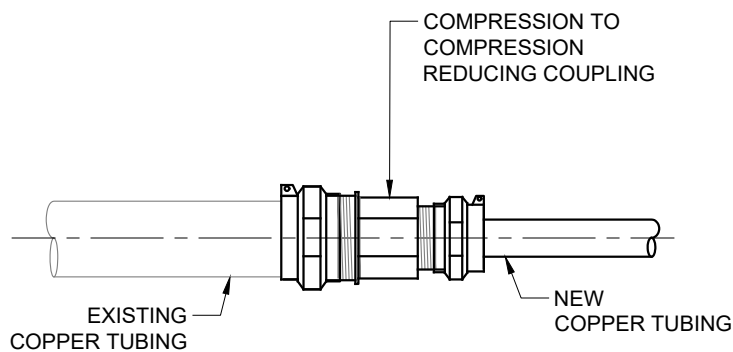
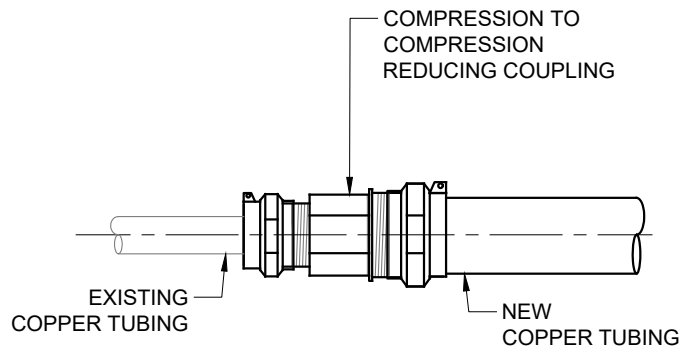


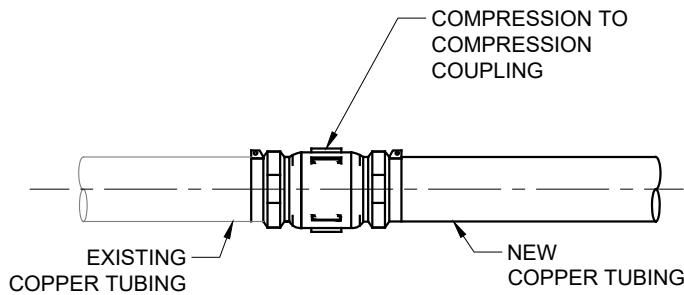
**ELEVATION**



**DETAIL - B**



**DETAIL - C**



**DETAIL - A**

CONNECTION SCHEDULE		
EXISTING COPPER TUBING (INCHES)	NEW COPPER TUBING (INCHES)	SEE DETAIL
3/4	1	C
1	1	A
1 1/4	1	B
1 1/2	2	C
2	2	A

SERVICE SYMBOL DESIGNATION

SERVICE RECONNECTIONS:



**NOTES:**

1. UNLESS OTHERWISE NOTED, ALL CONNECTIONS TO COPPER TUBING SHALL BE "COMPRESSION" TYPE.
2. NO JOINTS ARE ALLOWED IN SERVICE LATERAL SECTIONS INSERTED THROUGH BORED HOLE, UNLESS APPROVED BY LBWD ENGINEERING THROUGH VISUAL INSPECTION OR ACCEPTABLE LEAK TESTING.
3. SERVICE TAP SHALL BE IN-LINE WITH METER BOX UNLESS APPROVED BY LBWD ENGINEERING.
4. AFTER INSTALLATION OF SERVICE TAP, WRAP CONNECTION FULLY WITH POLYWRAP AND TAPE.

**SERVICE RECONNECTIONS**

**WDS - 004**



**Long Beach Water**  
Exceptional Water • Exceptional Service

RECOMMENDED

*Robert Johnson*  
DIRECTOR OF ENGINEERING

APPROVED

*Shirley Paul*  
DEPUTY GENERAL MANAGER / CHIEF ENGINEER

DATE: 02-2020

SCALE: N.T.S.

SHEET 1 OF 1