

FIRE SERVICE ELEVATION DETAIL
AMES 3000SS

NOTES:

1. THIS STANDARD IS INTENDED FOR REFERENCE PURPOSES, AND IS NOT INTENDED FOR CONSTRUCTION. CONTRACTOR SHALL SUBMIT A DETAILED CONSTRUCTION DRAWING FOR APPROVAL TO LBWD. CONTACT LBWD FOR FURTHER REQUIREMENTS.
2. COAT ALL BURIED FITTINGS, VALVES, BOLTED COUPLINGS, AND DI PIPE ACCORDING TO LBWD STANDARD SPECIFICATIONS. METER AND ABOVE-GROUND FITTINGS SHALL HAVE A FACTORY- OR SHOP-APPLIED EPOXY-AND-POLYURETHANE COATING SYSTEM WITH A DRY FILM THICKNESS BETWEEN 10 AND 16 MILS.
3. DOUBLE CHECK DETECTOR ASSEMBLY SHALL BE AMES MODEL 3000SS OR FEBCO MODEL LF876V.
4. LOCATION OF FIRE SERVICE SHALL BE IN ACCORDANCE WITH THE CONSTRUCTION DRAWING APPROVED BY LBWD.
5. CONTRACTOR SHALL COORDINATE HYDROSTATIC TESTING, CHLORINATION, AND BAC-T SAMPLE TESTING WITH LBWD.
6. REMOVE HYDROSTATIC TEST PLATE AND CONNECT CUSTOMER SIDE AFTER CLEARANCE IS OBTAINED FROM LBWD.
7. AN EASEMENT SHALL BE GRANTED TO THE LBWD FOR OPERATIONS AND MAINTENANCE PURPOSES.
8. CLASS 53 DI SPOOL SHALL BE PREFABRICATED AND DOUBLE THICKNESS CEMENT MORTAR LINED PER AWWA C205.
9. ALL NUTS, BOLTS, AND WASHERS SHALL BE T-316 STAINLESS STEEL.
10. PROVIDE A MINIMUM CLEAR SPACE OF 24" TO THE REAR AND 18" TO THE SIDES. MINIMUM HEIGHT FROM FLOOR TO CEILING SHALL BE 9' IF THE DEVICE IS INSTALLED INDOORS.
11. UNDER SPECIAL CIRCUMSTANCES, A PLAIN END CLASS 53 DI SPOOL WITH FLANGE COUPLING ADAPTERS AND RESTRAINING GLANDS CAN BE INSTALLED IN LIEU OF FLANGE x FLANGE DI SPOOL AS APPROVED BY ENGINEER.

4, 6, 8, & 10-INCH FIRE SERVICE INSTALLATION

WDS - 006



Long Beach Water
Exceptional Water • Exceptional Service

RECOMMENDED

Robert Johnson
DIRECTOR OF ENGINEERING

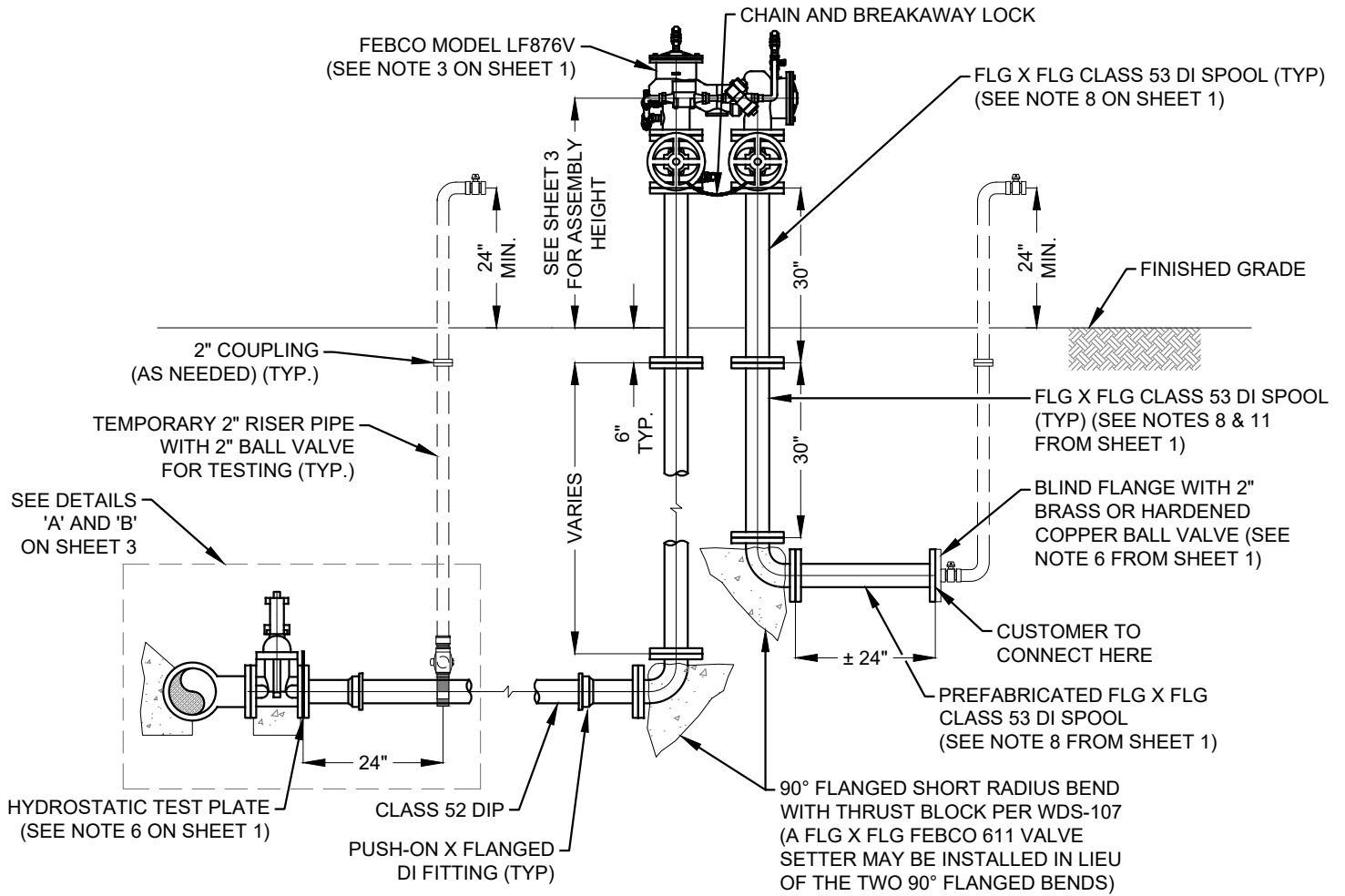
APPROVED

Shirley Paul
DEPUTY GENERAL MANAGER / CHIEF ENGINEER

DATE: 02-2020

SCALE: N.T.S.

SHEET 1 OF 3



**FIRE SERVICE ELEVATION DETAIL
(FEBCO LF876V)**

4, 6, 8, & 10-INCH FIRE SERVICE INSTALLATION

WDS - 006



Long Beach Water
Exceptional Water • Exceptional Service

RECOMMENDED

Robert Johnson

DIRECTOR OF ENGINEERING

APPROVED

Shirley Reed

DEPUTY GENERAL MANAGER / CHIEF ENGINEER

DATE: 02-2020

SCALE: N.T.S.

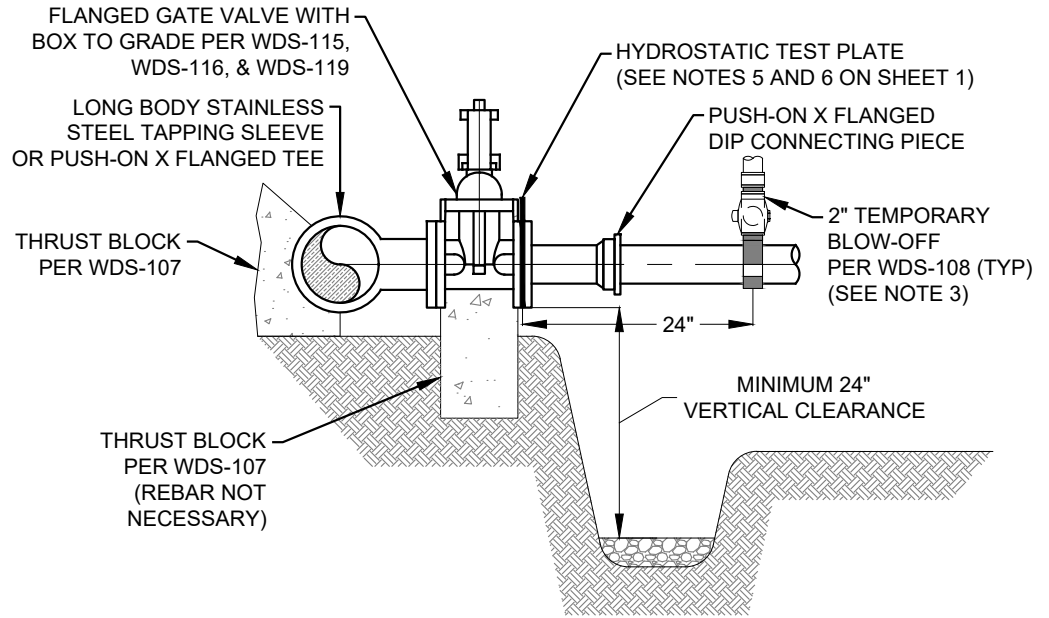
SHEET 2 OF 3

SERVICE SIZE	AMES 3000SS HEIGHT	FEBCO LF876V HEIGHT
4"	30.5"	39.5"
6"	32.0"	42.625"
8"	33.0"	44.75"
10"	35.0"	N/A

NOTE:

HEIGHT IS MEASURED FROM FINISHED GRADE TO CENTERLINE OF ASSEMBLY.

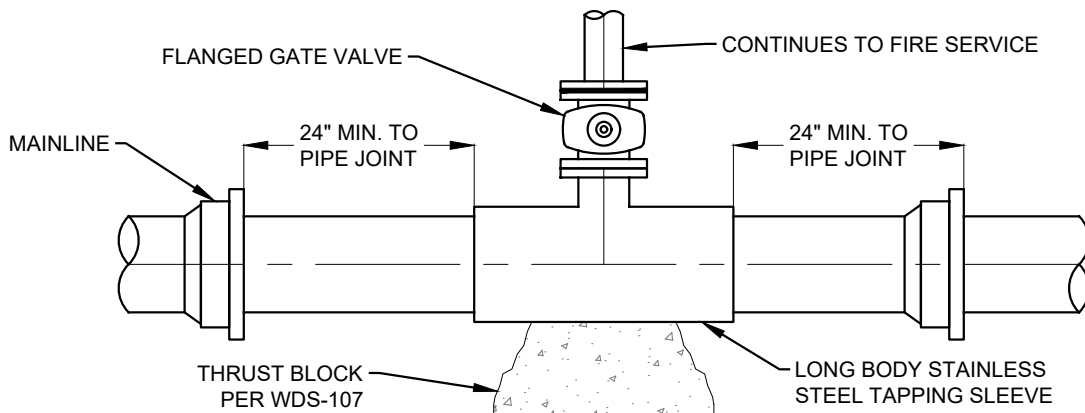
ASSEMBLY HEIGHT



NOTE:

1. LBWD INSPECTOR TO BE PRESENT DURING REMOVAL OF HYDROSTATIC TEST PLATE.
2. IF WATER RISES TO FLANGE DURING REMOVAL OF TEMPORARY HYDROSTATIC TEST PLATE, CONTRACTOR SHALL BE REQUIRED TO RE-SAMPLE BAC-T'S DUE TO POTENTIAL CONTAMINATION.
3. UNLESS DIRECTED BY LBWD ENGINEER, REMOVE CORPORATION STOP DURING FINAL TIE-IN AND INSTALL PLUG IN PLACE.

DETAIL 'A' - CONNECTION DETAIL (SECTION)



DETAIL 'B' - CONNECTION DETAIL (PLAN)

4, 6, 8, & 10-INCH FIRE SERVICE INSTALLATION

WDS - 006



Long Beach Water
Exceptional Water • Exceptional Service

RECOMMENDED

Robert Johnson

DIRECTOR OF ENGINEERING

APPROVED

Shirley Paul

DEPUTY GENERAL MANAGER / CHIEF ENGINEER

DATE: 02-2020

SCALE: N.T.S.

SHEET 3 OF 3