

SERVICE ELEVATION DETAIL

NOTES:

1. THIS STANDARD IS INTENDED FOR REFERENCE PURPOSES, AND IS NOT INTENDED FOR CONSTRUCTION. CONTRACTOR SHALL SUBMIT A DETAILED CONSTRUCTION DRAWING FOR APPROVAL TO LBWD. CONTACT LBWD FOR FURTHER REQUIREMENTS.
2. COAT ALL BURIED FITTINGS, VALVES, BOLTED COUPLINGS, AND DI PIPE ACCORDING TO LBWD STANDARD SPECIFICATIONS. METER AND ABOVE-GROUND FITTINGS SHALL HAVE A FACTORY- OR SHOP-APPLIED EPOXY-AND-POLYURETHANE COATING SYSTEM WITH A DRY FILM THICKNESS BETWEEN 10 AND 16 MILS.
3. LOCATION OF PLATE STRAINER SHALL BE PER MANUFACTURER'S RECOMMENDATION.
4. THE LOCATION OF THE METER SHALL BE IN ACCORDANCE WITH THE CONSTRUCTION DRAWING APPROVED BY LBWD.
5. CONTRACTOR SHALL COORDINATE HYDROSTATIC TESTING, CHLORINATION, AND BAC-T SAMPLE TESTING WITH LBWD.
6. REMOVE HYDROSTATIC TEST PLATE AND CONNECT TO CUSTOMER SIDE AFTER CLEARANCE IS OBTAINED FROM LBWD.
7. AN EASEMENT SHALL BE GRANTED TO THE LBWD FOR OPERATIONS AND MAINTENANCE PURPOSES.
8. CLASS 53 DI SPOOL SHALL BE PREFABRICATED AND DOUBLE THICKNESS CEMENT MORTAR LINED PER AWWA C205.
9. ALL NUTS AND BOLTS SHALL BE T-316 STAINLESS STEEL.
10. PROVIDE A MINIMUM CLEAR SPACE OF 24" TO THE REAR AND 18" TO THE SIDES. MINIMUM HEIGHT FROM FLOOR TO CEILING SHALL BE 9' IF THE DEVICE IS INSTALLED INDOORS.
11. MINIMUM LENGTH OF GROOVED SPOOL SHALL BE 2 X Ø FOR 4" AND 6" METERS, AND 3 X Ø FOR METERS 8-INCH AND GREATER.
12. UNDER SPECIAL CIRCUMSTANCES, A PLAIN END CLASS 53 DI SPOOL WITH FLANGE COUPLING ADAPTERS AND RESTRAINING GLANDS CAN BE INSTALLED IN LIEU OF FLANGE x FLANGE DI SPOOL AS APPROVED BY ENGINEER.

4, 6, 8, & 10-INCH SERVICE INSTALLATION

WDS - 011



Long Beach Water
Exceptional Water • Exceptional Service

RECOMMENDED

Robert Johnson
DIRECTOR OF ENGINEERING

APPROVED

Shirley Paul
DEPUTY GENERAL MANAGER / CHIEF ENGINEER

DATE: 02-2020

SCALE: N.T.S.

SHEET 1 OF 2

SERVICE SIZE	A	HEIGHT
4"	30"	30.5"
6"	30"	32"
8"	30"	33"
10"	24"	35"

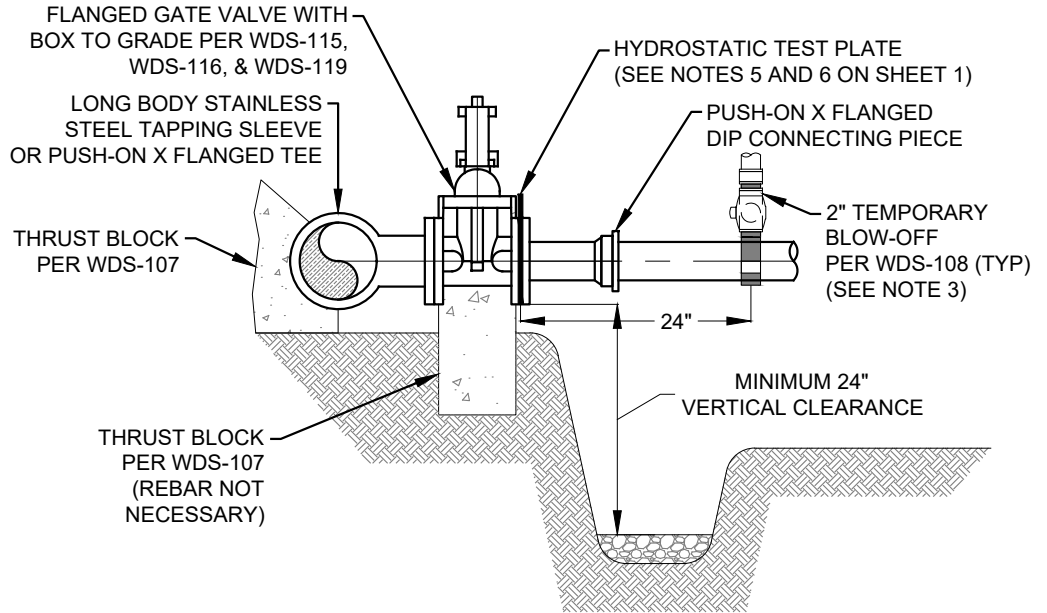
NOTE:

HEIGHT IS MEASURED FROM FINISHED GRADE TO CENTERLINE OF ASSEMBLY.

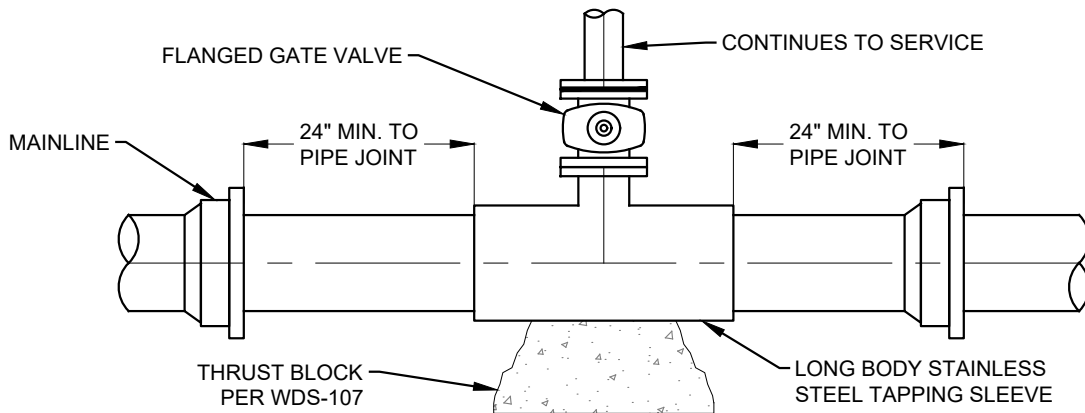
ASSEMBLY CENTERLINE HEIGHT

NOTE:

1. LBWD INSPECTOR TO BE PRESENT DURING REMOVAL OF HYDROSTATIC TEST PLATE.
2. IF WATER RISES TO FLANGE DURING REMOVAL OF TEMPORARY HYDROSTATIC TEST PLATE, CONTRACTOR SHALL BE REQUIRED TO RE-SAMPLE BAC-T'S DUE TO POTENTIAL CONTAMINATION.
3. UNLESS DIRECTED BY LBWD ENGINEER, REMOVE CORPORATION STOP DURING FINAL TIE-IN AND INSTALL PLUG IN PLACE.



DETAIL 'A' - CONNECTION DETAIL (SECTION)



DETAIL 'B' - CONNECTION DETAIL (PLAN)

4, 6, 8, & 10-INCH SERVICE INSTALLATION

WDS - 011



Long Beach Water
Exceptional Water • Exceptional Service

RECOMMENDED

Robert Johnson

DIRECTOR OF ENGINEERING

APPROVED

Debra Paul

DEPUTY GENERAL MANAGER / CHIEF ENGINEER

DATE: 02-2020

SCALE: N.T.S.

SHEET 2 OF 2