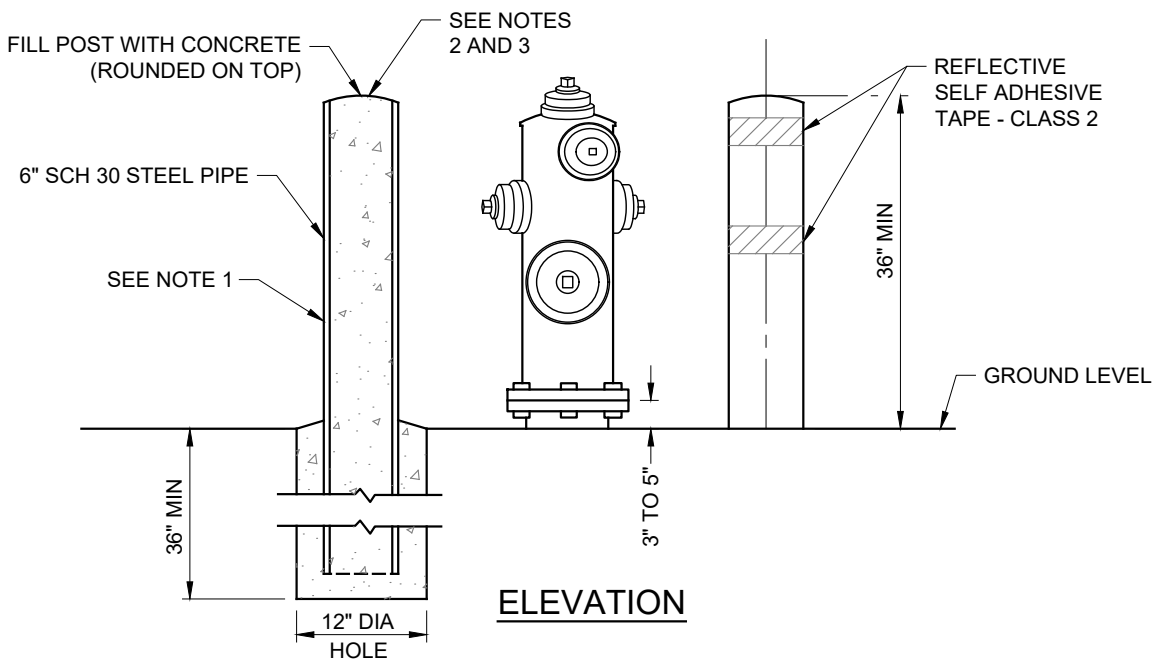
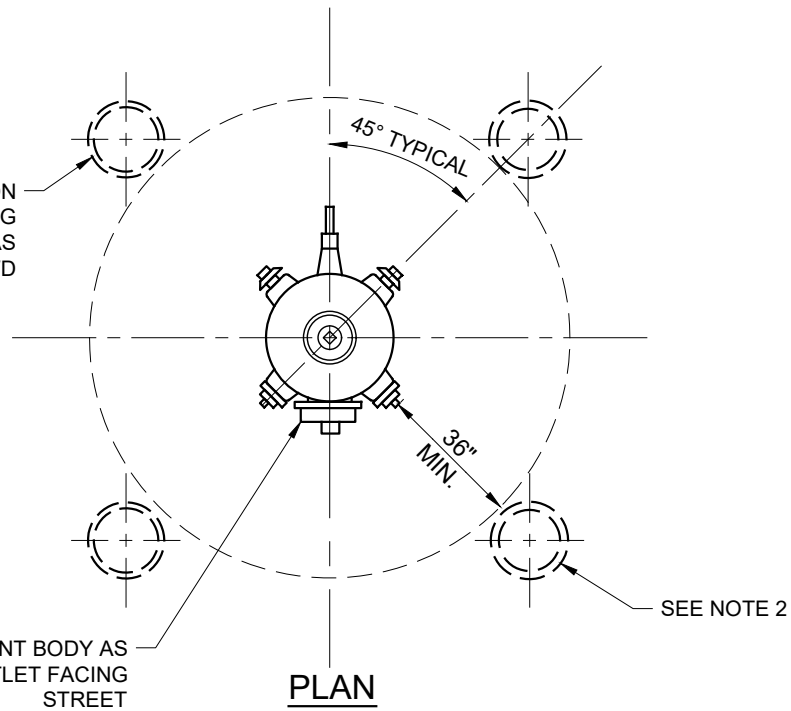


OMIT REAR GUARD POSTS ON INSTALLATIONS NOT REQUIRING PROTECTION FROM REAR AS DIRECTED BY LBWD



NOTES:

1. APPLY TWO COATS OF PRIMER AND ONE COAT OF SAFETY YELLOW PAINT PER SECTION 09 90 00 OF LBWD STANDARD SPECIFICATIONS.
2. TYPICALLY ONLY TWO POSTS SHALL BE REQUIRED TO PROTECT THE FIRE HYDRANT AGAINST TRAFFIC.
3. PAINT GUARD POSTS PER SECTION 09 90 00 OF LBWD STANDARD SPECIFICATIONS TO MATCH THE FIRE HYDRANT.

FIRE HYDRANT GUARD POSTS

WDS - 103



Long Beach Water
Exceptional Water • Exceptional Service

RECOMMENDED

Robert Johnson

DIRECTOR OF ENGINEERING

APPROVED

Debra Paul

DEPUTY GENERAL MANAGER / CHIEF ENGINEER

DATE: 02-2020

SCALE: N.T.S.

SHEET 1 OF 1