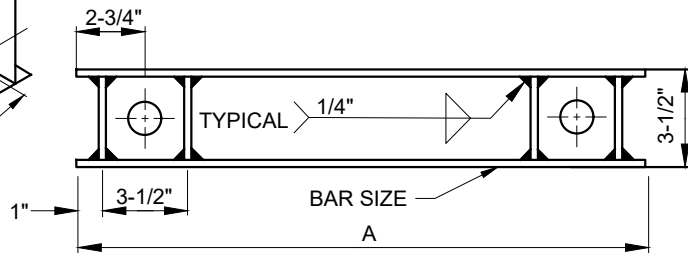
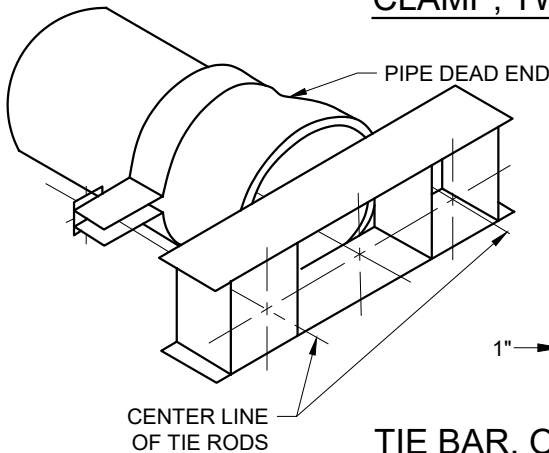


CLAMP, TWO REQUIRED PER SET



TIE BAR, ONE REQUIRED PER SET

CLAMP AND BAR SCHEDULE IN INCHES							
PIPE SIZE	L	A	B	R	C	BAR SIZE	MARKING
4	18-3/4	17-1/8	1-3/4	2-7/16	6-5/16	2-1/2 x 3/8	4-P
6	22-1/6	19-3/8	2-13/16	3-7/16	6-5/16	2-1/2 x 3/8	6-P
8	22-3/4	21-7/8	3-7/8	4-1/2	6-1/2	2-1/2 x 3/8	8-P
12	32-5/16	26-3/8	5-7/8	6-5/8	6-5/8	3 x 1/2	12-P

NOTES:

1. CLAMPS TO BE MADE FROM FLAT BAR STOCK, TWO REQUIRED PER SET.
2. CLAMPS AND BARS TO BE PAINTED WITH NO OX-ID AFTER INSTALLATION AND ENCASED WITH TWO LAYERS OF POLYETHYLENE WRAP.
3. SEE WDS-105 FOR ASSEMBLY DETAILS.
4. CONTRACTOR CAN USE TOLCO FIGURE 14 FOR DOUBLE BOLT UNDERGROUND SOCKET CLAMP, IN LIEU OF FABRICATED CLAMP.

TIE-ROD BAR AND CLAMPS

WDS - 104



Long Beach Water
Exceptional Water • Exceptional Service

RECOMMENDED

Robert Johnson
DIRECTOR OF ENGINEERING

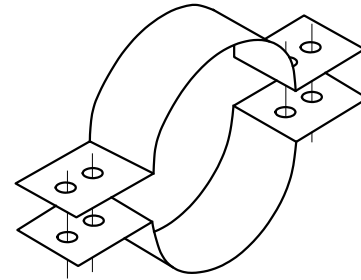
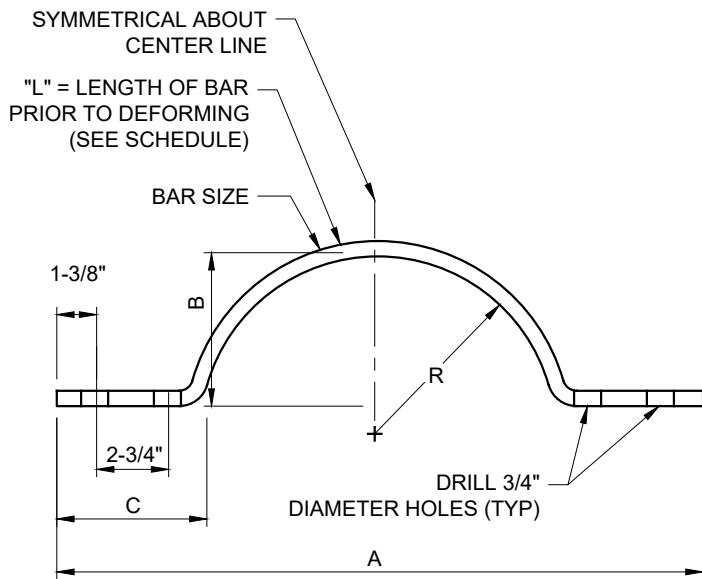
APPROVED

Shirley Paul
DEPUTY GENERAL MANAGER / CHIEF ENGINEER

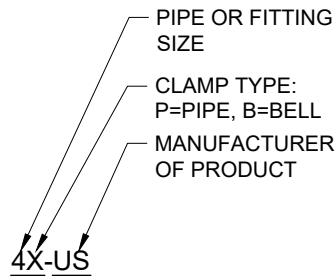
DATE: 02-2020

SCALE: N.T.S.

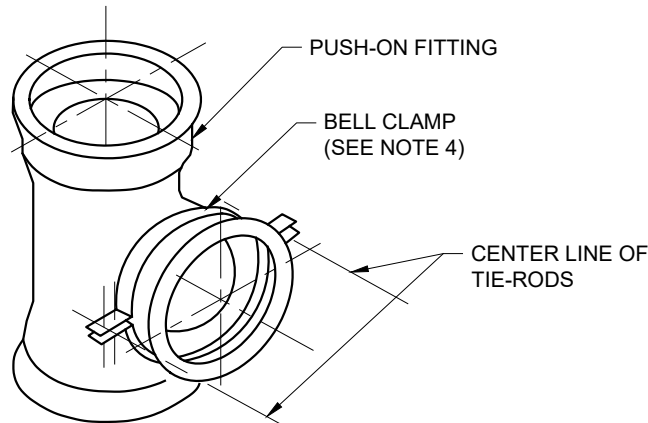
SHEET 1 OF 2



CLAMP, TWO REQUIRED PER SET



MARKING



INSTALLATION

CLAMP AND BAR SCHEDULE IN INCHES							
PIPE SIZE	L	A	B	R	C	BAR SIZE	MARKING
4	19-11/16	17-1/8	2-11/16	3-5/16	5-3/8	2-1/2 x 3/8	4B-US
6	22-9/16	19-3/8	3-3/4	4-3/8	5-3/8	2-1/2 x 3/8	6B-US
8	26-1/4	21-7/8	4-13/16	5-9/16	5-9/16	2-1/2 x 3/8	8B-US
12	33-3/4	26-3/8	7	7-5/8	5-9/16	3 x 1/2	12B-US

NOTES:

1. CLAMPS TO BE MADE FROM FLAT BAR STOCK, TWO REQUIRED PER SET.
2. CLAMPS TO BE PAINTED WITH NO OX-ID AFTER INSTALLATION AND ENCASE WITH TWO LAYERS OF POLYETHYLENE WRAP.
3. SEE WDS-105 FOR ASSEMBLY DETAILS
4. CLAMPS ARE DESIGNED TO FIT PRODUCTS MADE BY US PIPE COMPANY.
5. CONTRACTOR CAN USE TOLCO FIGURE 14 FOR DOUBLE UNDERGROUND SOCKET CLAMP, IN LIEU OF FABRICATED CLAMP.

TIE-ROD BAR AND CLAMPS

WDS - 104



Long Beach Water
Exceptional Water • Exceptional Service

RECOMMENDED

Robert Johnson

DIRECTOR OF ENGINEERING

APPROVED

Debra Paul

DEPUTY GENERAL MANAGER / CHIEF ENGINEER

DATE: 02-2020

SCALE: N.T.S.

SHEET 2 OF 2