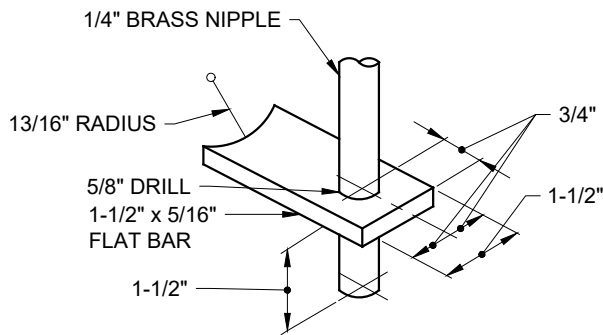


ELEVATIONS



DETAIL

SAMPLING RISER

WDS - 109



**Long Beach Water**  
Exceptional Water • Exceptional Service

RECOMMENDED

*Robert Johnson*

DIRECTOR OF ENGINEERING

APPROVED

*Debra Paul*

DEPUTY GENERAL MANAGER / CHIEF ENGINEER

DATE: 02-2020

SCALE: N.T.S.

SHEET 1 OF 1