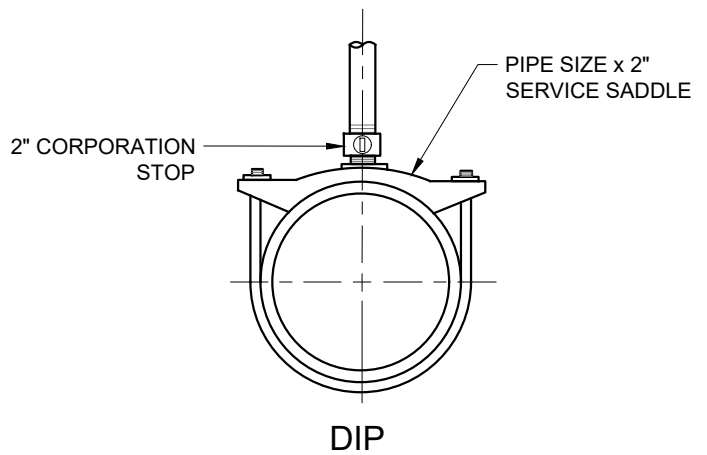
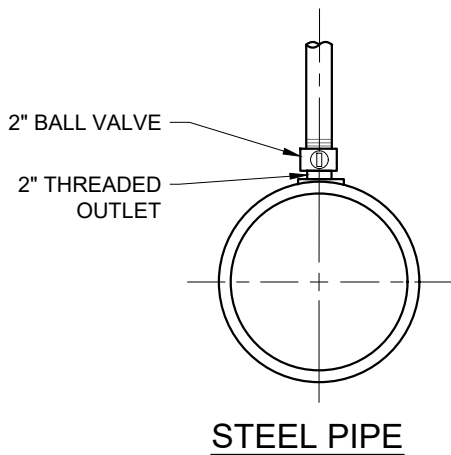


CONTINUED BELOW



CHLORINATION AND AIR RELIEF ASSEMBLY

WDS - 110



Long Beach Water
Exceptional Water • Exceptional Service

RECOMMENDED

Robert Johnson

DIRECTOR OF ENGINEERING

APPROVED

Debra Paul

DEPUTY GENERAL MANAGER / CHIEF ENGINEER

DATE: 02-2020

SCALE: N.T.S.

SHEET 1 OF 1