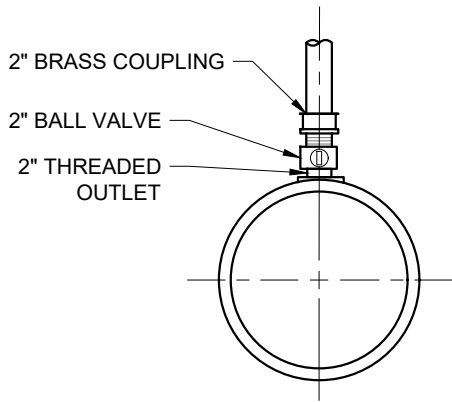
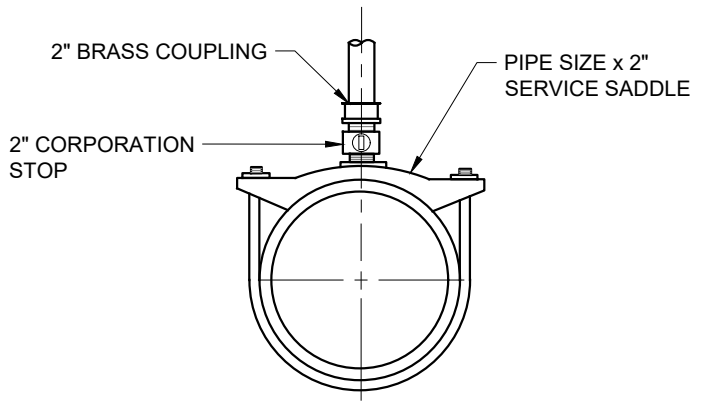


CONTINUED BELOW



STEEL PIPE



DIP

NOTE:

1. WHEN CHLORINATION OR AIR RELIEF IS NO LONGER REQUIRED THE GATE BOX, LID, RISER AND ASSEMBLY SHALL BE REMOVED. LEAVE THE BRASS COUPLING AT THE CORPORATION STOP OR BALL VALVE, AND PLUG WITH A 2" BRASS PLUG.

TEMPORARY CHLORINATION AND AIR RELIEF ASSEMBLY

WDS - 111



Long Beach Water
Exceptional Water • Exceptional Service

RECOMMENDED

Robert Johnson

DIRECTOR OF ENGINEERING

APPROVED

Shirley Reed

DEPUTY GENERAL MANAGER / CHIEF ENGINEER

DATE: 02-2020

SCALE: N.T.S.

SHEET 1 OF 1