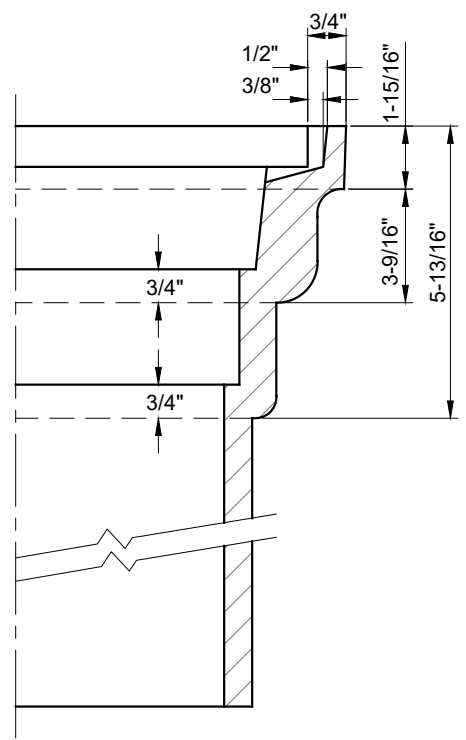


SECTION A-A



SECTION B-B

NOTES:

1. LONG BEACH STANDARD HEAVY 12" CAST IRON GATE BOX LID TO BE USED WITH THE GATE BOX (SEE WDS-118)
2. VALVE BOX CONSTRUCTION REQUIRES THE ORIENTATION OF THE VALVE LID EARS TO RUN IN-LINE WITH THE DIRECTION OF THE WATER MAIN OR LATERAL.

ADJUSTABLE GATE BOX - 12-INCH

WDS - 117



Long Beach Water
Exceptional Water • Exceptional Service

RECOMMENDED
Robert Johnson
DIRECTOR OF ENGINEERING

APPROVED
Shirley Paul
DEPUTY GENERAL MANAGER / CHIEF ENGINEER

DATE: 02-2020

SCALE: N.T.S.

SHEET 1 OF 1