

GATE BOX TO BE ADJUSTED TO GRADE WITH ASPHALT CONCRETE LIFT. BOX AND LID SIZED PER NOTES 1 AND 2.

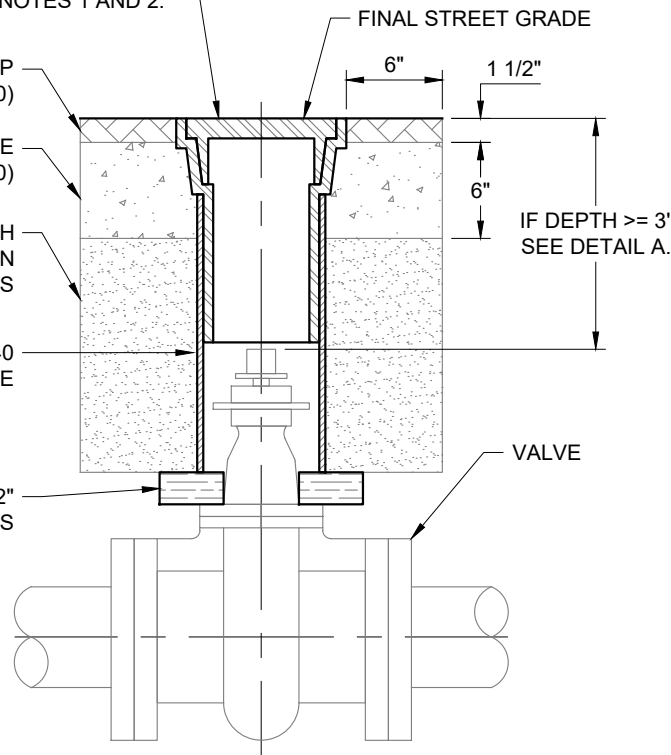
ASPHALT CONCRETE CAP (MIX NO. PG-64-10)

CLASS A2 CONCRETE (600-C-2500)

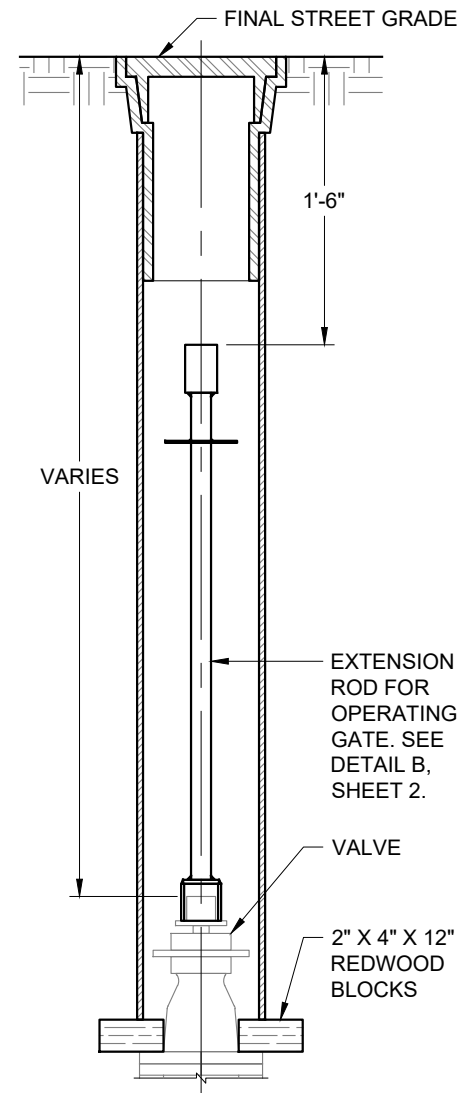
BACKFILL PER TRENCH RESTORATION REQUIREMENTS

SCHEDULE 40 PVC PIPE

2" X 4" X 12" REDWOOD BLOCKS



GATE BOX DETAIL - NEW CONSTRUCTION



DETAIL A

GATE BOX TO BE ADJUSTED TO GRADE WITH ASPHALT CONCRETE LIFT. BOX AND LID SIZED PER NOTES 1 AND 2.

ASPHALT CONCRETE CAP (MIX NO. PG-64-10)

PROPOSED ASPHALT CONCRETE LIFT OR OVERLAY

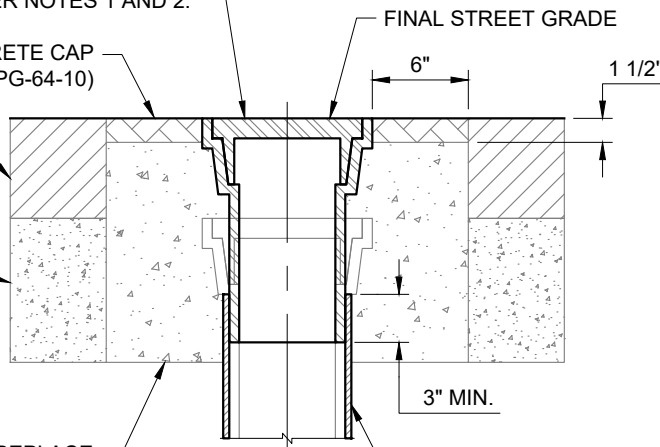
EXISTING ASPHALT CONCRETE OR CONCRETE PAVEMENT AND BASE

REMOVE AND REPLACE WITH CLASS A2 CONCRETE (600-C-2500)

FINAL STREET GRADE

6"

1 1/2"



GATE BOX DETAIL - RECONSTRUCTION

NOTES:

1. FOR BOXING VALVES SMALLER THAN 16", USE 8" CAST IRON GATE BOX AND LID (SEE WDS-115 AND WDS-116), WITH 8" SCHEDULE 40 PVC PIPE FOR RISER.
2. FOR BOXING VALVES 16" AND LARGER, USE 12" CAST IRON GATE BOX AND LID (SEE WDS-117 AND WDS-118), WITH 12" SCHEDULE 40 PVC PIPE FOR RISER.
3. VALVE BOX CONSTRUCTION REQUIRES THE ORIENTATION OF THE VALVE LID EARS TO RUN IN-LINE WITH DIRECTION OF THE WATER MAIN OR LATERAL.

GATE BOX DETAILS

WDS - 119



Long Beach Water
Exceptional Water • Exceptional Service

RECOMMENDED

Robert Johnson

DIRECTOR OF ENGINEERING

APPROVED

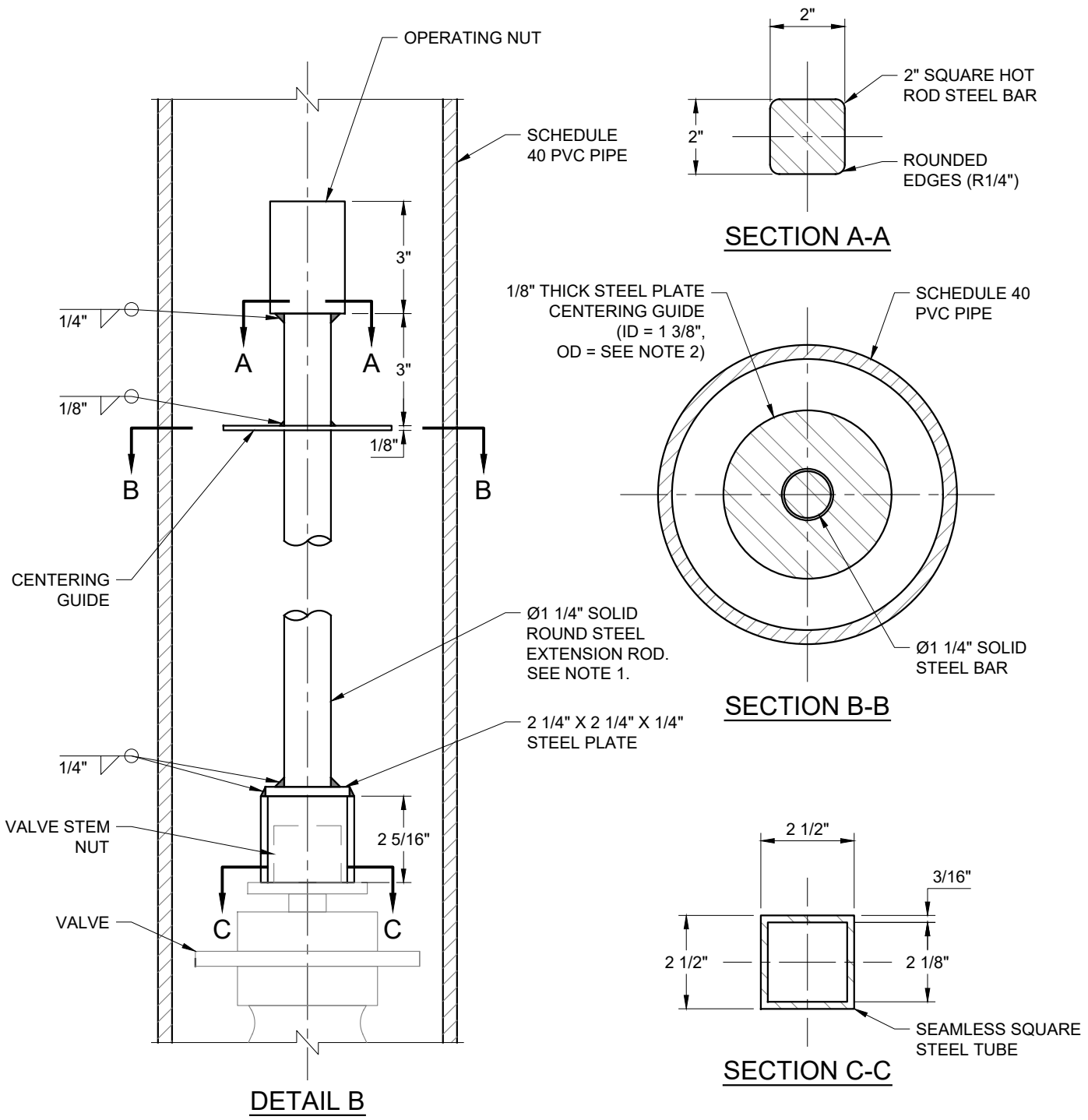
Debra Paul

DEPUTY GENERAL MANAGER / CHIEF ENGINEER

DATE: 02-2020

SCALE: N.T.S.

SHEET 1 OF 2



NOTES:

1. COAT ENTIRE EXTENSION ROD ASSEMBLY WITH NO-OX-ID A SPECIAL COMPOUND.
2. FOR EXTENSION RODS IN 8" PIPE RISER, CENTERING RING OD = 4 1/2". FOR EXTENSION RODS IN 12" PIPE RISER, CENTERING RING OD = 6 3/4".

GATE BOX DETAILS

WDS - 119



Long Beach Water
 Exceptional Water • Exceptional Service

RECOMMENDED

Robert Johnson
 DIRECTOR OF ENGINEERING

APPROVED

Shirley Paul
 DEPUTY GENERAL MANAGER / CHIEF ENGINEER

DATE: 02-2020

SCALE: N.T.S.

SHEET 2 OF 2