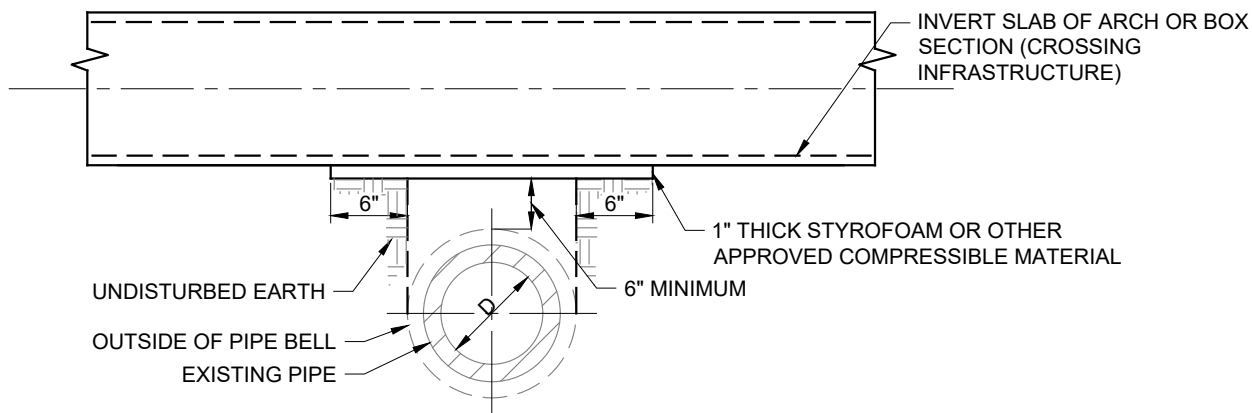


**CONCRETE BLANKET**  
(FOR EXISTING PIPES CROSSED OVER BY A NEW PIPE)

**NOTES FOR CONCRETE BLANKET:**

1. CONCRETE BLANKET IS REQUIRED WHEN THE CLEARANCE BETWEEN THE TOP OF THE EXISTING PIPE AND THE BOTTOM OF THE CROSSING PIPE IS LESS THAN 18".
2. "Y" =  $D/6$ , 4" MINIMUM.
3. TO PROVIDE BEDDING MATERIAL FOR THE CROSSING CONDUIT, "X" =  $D/8$ .
4. THE BLANKET SHALL EXTEND LONGITUDINALLY BEYOND THE TRENCH EXCAVATION TO 1' BEFORE THE FIRST PIPE JOINTS OR 4' BEYOND EACH SIDE OF THE TRENCH, WHICHEVER IS LOWEST.



**COMPRESSIBLE BLANKET**  
(FOR EXISTING PIPES CROSSED OVER BY A NEW BOX OR ARCH)

**NOTES FOR COMPRESSIBLE BLANKET:**

1. COMPRESSIBLE BLANKET IS REQUIRED WHEN THE CLEARANCE BETWEEN THE TOP OF THE EXISTING PIPE AND THE BOTTOM OF THE CROSSING CONDUIT (BOX OR ARCH) IS LESS THAN 18".
2. THE BLANKET SHALL EXTEND LONGITUDINALLY FOR THE FULL CROSSING CONDUIT TRENCH WIDTH.

**BLANKET PROTECTION FOR PIPES**

**WDS - 129**



**Long Beach Water**  
Exceptional Water • Exceptional Service

RECOMMENDED

*Robert Johnson*

DIRECTOR OF ENGINEERING

APPROVED

*Shirley Paul*

DEPUTY GENERAL MANAGER / CHIEF ENGINEER

DATE: 02-2020

SCALE: N.T.S.

SHEET 1 OF 1