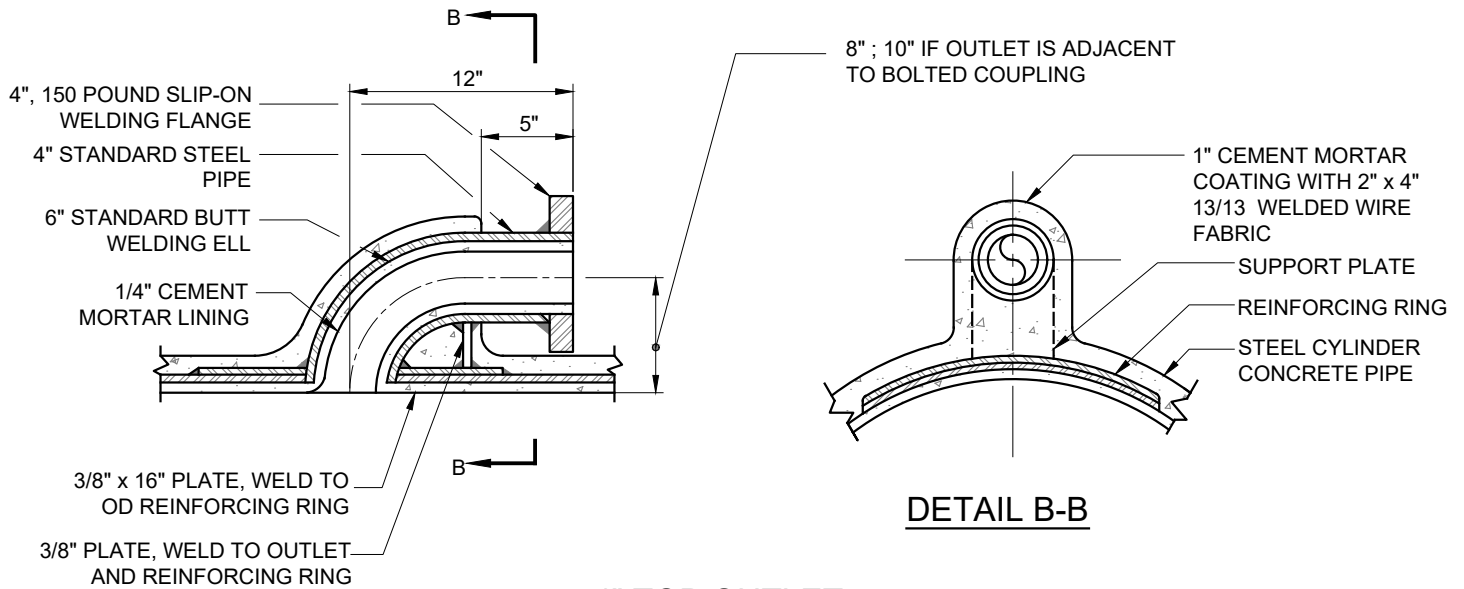


DIMENSION	OUTLET SIZE IN INCHES			
	4	6	8	12
A	7-3/4	11	11-1/2	12
B	2	3	4	6

4", 6", 8", 12" SIDE OUTLET



4" TOP OUTLET

NOTES:

- REFER TO SPECIFICATION SECTION 09 90 00 FOR COATING OF STEEL PIPE.

FLANGED OUTLETS FOR STEEL CYLINDER CONCRETE PIPE

WDS - 203



Long Beach Water
Exceptional Water • Exceptional Service

RECOMMENDED

Robert Johnson
DIRECTOR OF ENGINEERING

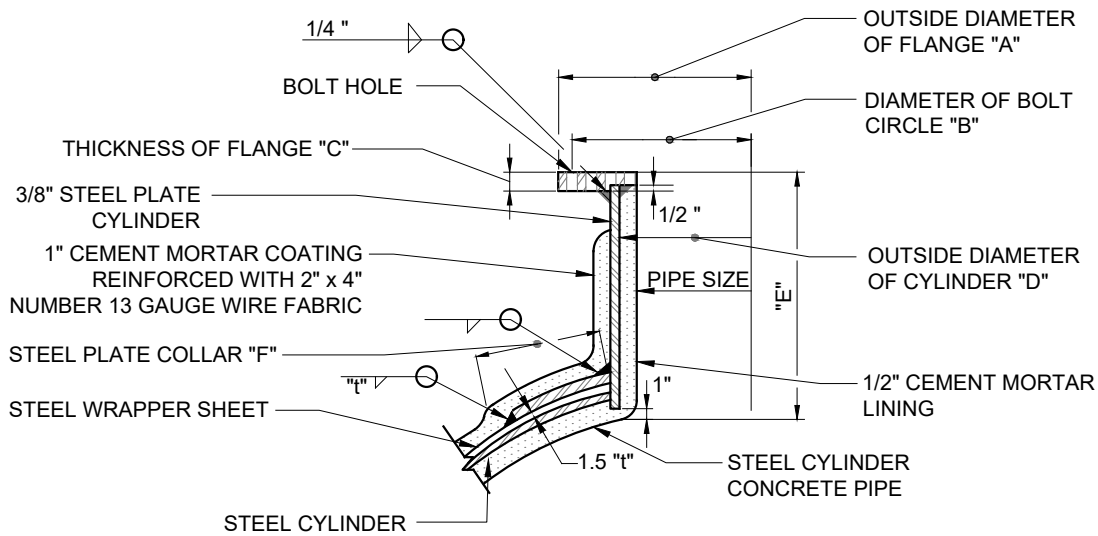
APPROVED

Shirley Paul
DEPUTY GENERAL MANAGER / CHIEF ENGINEER

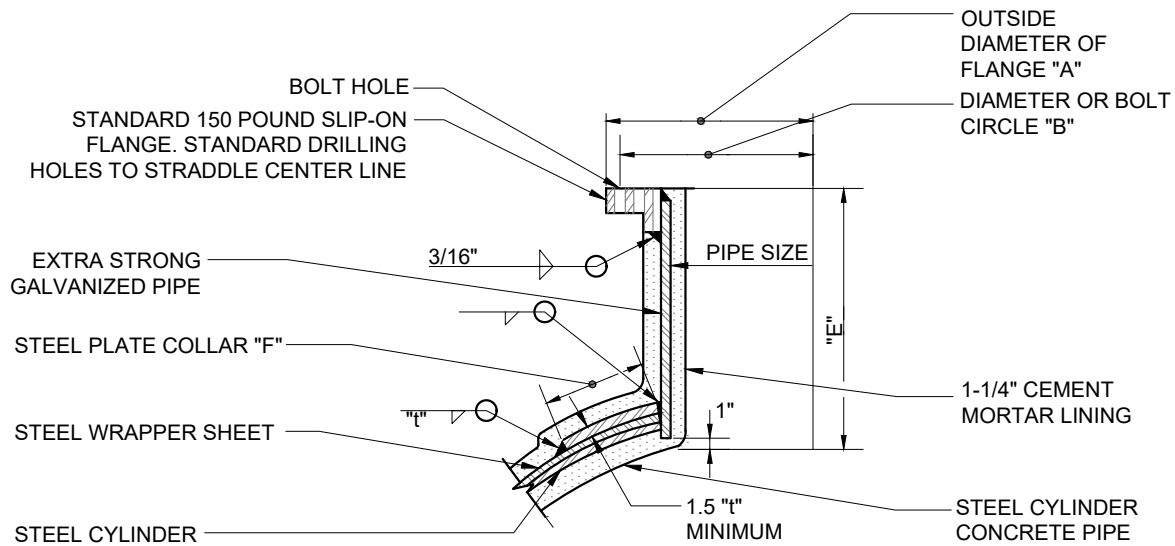
DATE: 02-2020

SCALE: N.T.S.

SHEET 1 OF 2



SECTIONAL DETAIL FOR 12", 20", 24", 30" PIPE OUTLET



SECTIONAL DETAIL FOR 3", 4", 6", 8" PIPE OUTLET

DIMENSIONS IN INCHES						
PIPE SIZE	A	B	C	D	E	F
3	7-1/2	6			9	2
4	9	7-1/2			9	2
6	11	9-1/2			9	3
8	13-1/2	11-3/4			9	4
12	19	17	1-1/4	13-3/4	12	6-1/2
20	27-1/2	25	1-11/16	21-3/4	20	10-1/2
24	32	29-1/2	1-7/8	25-3/4	20	12-1/2
30	38-3/4	36	2-1/8	31-3/4	20	15-1/2

NOTES:

- "t" REFERS TO THICKNESS OF THE STEEL WRAPPER SHEET.
- REFER TO SPECIFICATION SECTION 09 90 00 FOR COATING OF STEEL PIPE.

