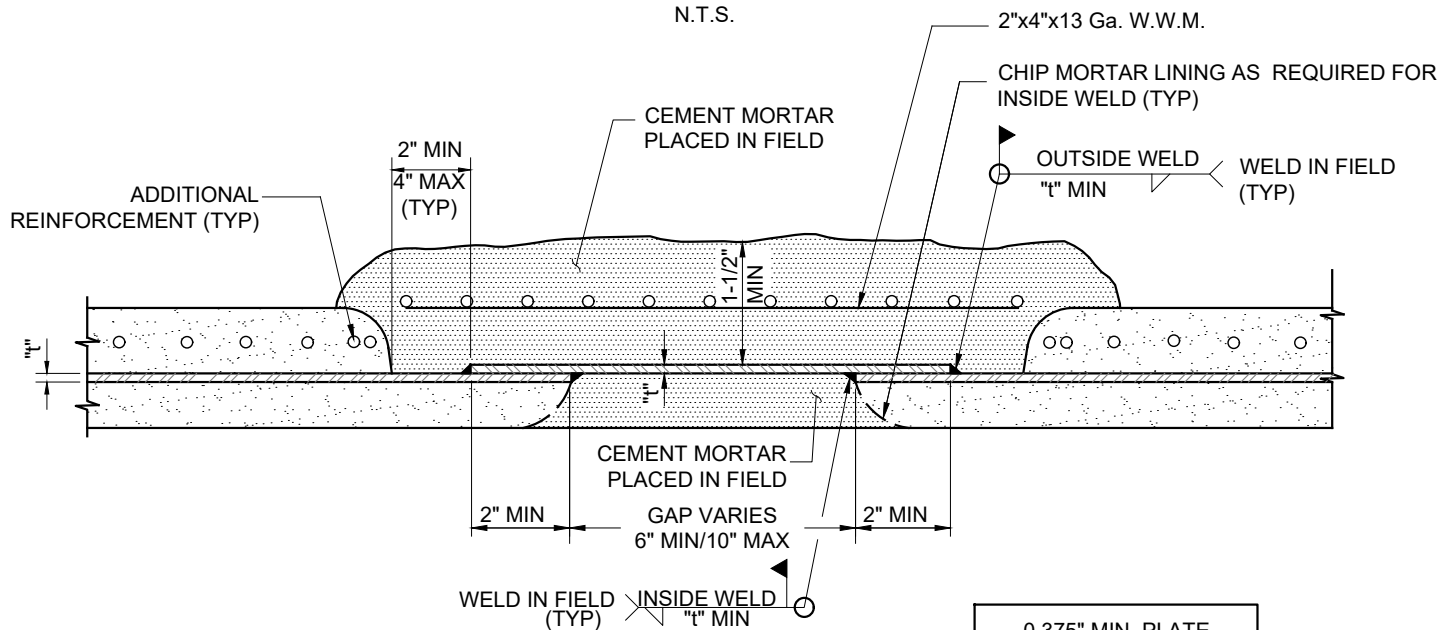


SEE NOTE 5

**HANDHOLE DETAIL**

N.T.S.



**TYPICAL SECTION**

NTS

0.375" MIN. PLATE  
"t"=THICKNESS

**NOTES FOR BUTT-STRAP JOINT:**

1. BUTT-STRAPS TO BE FURNISHED IN TWO PIECES AND SHIPPED LOOSE FOR FIELD JOINING. (BACKING PLATE SHALL BE 3/8" THICK BY 1" WIDE)
2. 14" MAXIMUM LENGTH OF BUTT-STRAP FOR FIELD CLOSING SECTION
3. FOR PIPING 12" IN DIAMETER AND SMALLER, ONE HANDHOLE IS REQUIRED PER EACH BUTT-STRAP JOINT. FOR PIPING 14" IN DIAMETER THROUGH 24" IN DIAMETER, TWO HANDHOLES ARE REQUIRED PER EACH BUTT-STRAP JOINT; THE HANDHOLES SHALL BE LOCATED 120° APART. FOR PIPING 36" IN DIAMETER, FOUR HANDHOLES ARE REQUIRED PER EACH BUTT-STRAP JOINT; THE HANDHOLES SHALL BE LOCATED 90° APART.
4. FOR PIPING SMALLER THAN 30" IN DIAMETER, INSIDE WELDS ARE NOT REQUIRED.
5. WELD PLUG TO COUPLING AND CEMENT MORTAR LINE OR COAT EXPOSED INTERIOR METAL SURFACES WITH ELEVEN (11) MILS (MIN) EPOXY COATING IN FIELD.
6. ALL WELD ROD TO BE 6010, 6012, OR APPROVED EQUAL.

**BUTT STRAP JOINT DETAIL**

**WDS - 209**



**Long Beach Water**  
Exceptional Water • Exceptional Service

RECOMMENDED

*Robert Johnson*

DIRECTOR OF ENGINEERING

APPROVED

*Shirley Paul*

DEPUTY GENERAL MANAGER / CHIEF ENGINEER

DATE: 02-2020

SCALE: N.T.S.

SHEET 1 OF 1