

NOTE:

THIS COVER SHALL BE USED WITH STANDARD HEAVY CAST IRON MAINTENANCE HOLE FRAME. SEE SHEET 2.

WATER MAINTENANCE HOLE - COVER

WDS - 210



Long Beach Water
Exceptional Water • Exceptional Service

RECOMMENDED

Robert Johnson

DIRECTOR OF ENGINEERING

APPROVED

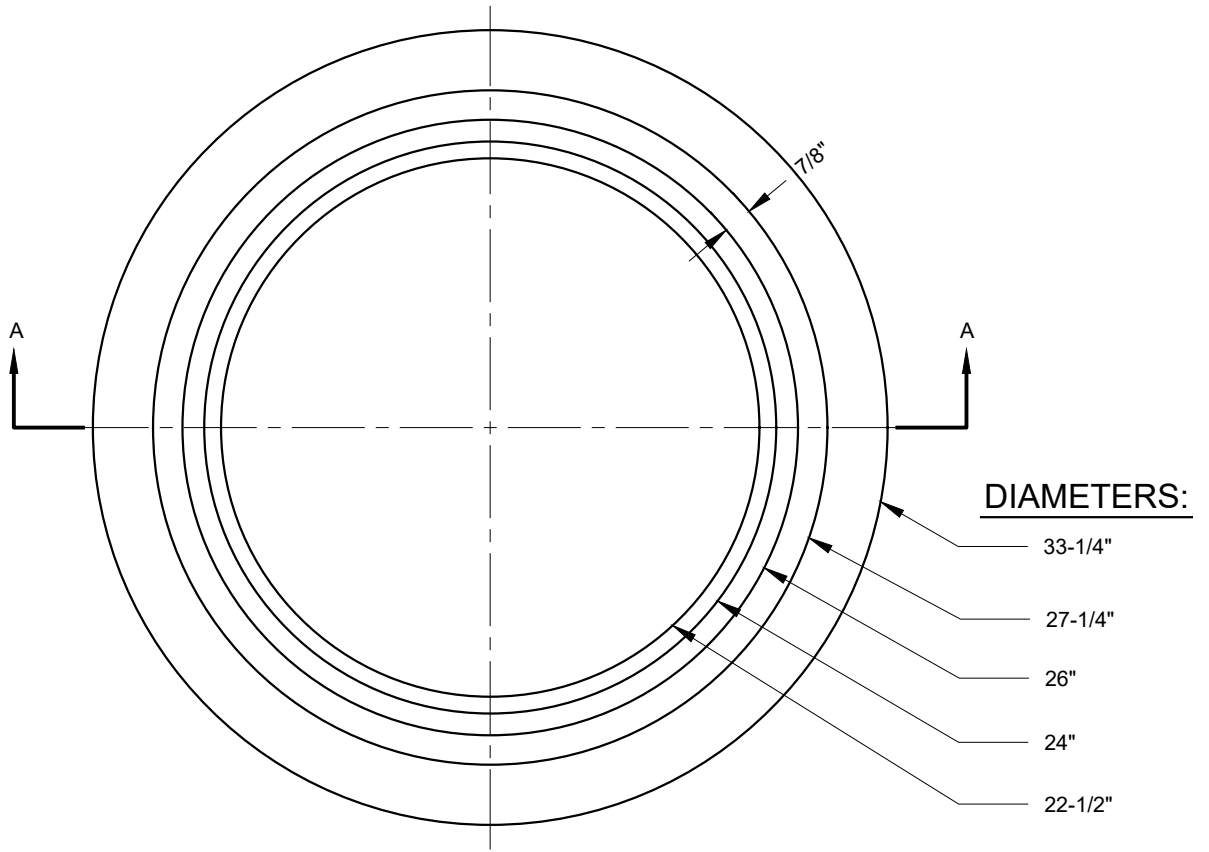
Debra Paul

DEPUTY GENERAL MANAGER / CHIEF ENGINEER

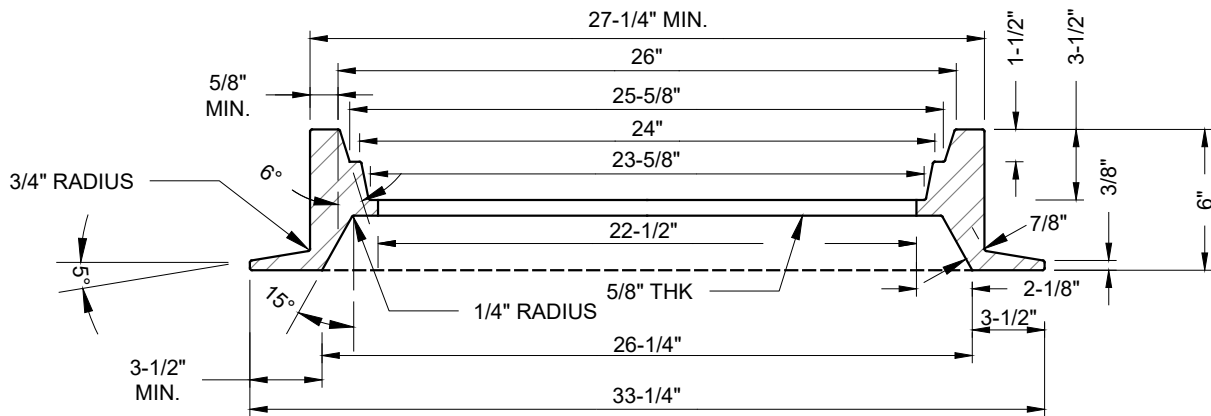
DATE: 02-2020

SCALE: N.T.S.

SHEET 1 OF 3



PLAN



SECTION A-A

NOTE:

STANDARD HEAVY CAST IRON MAINTENANCE HOLE COVER TO BE USED WITH THIS FRAME (SEE SHEET 1 OF 3.)

WATER MAINTENANCE HOLE - FRAME

WDS - 210



Long Beach Water
Exceptional Water • Exceptional Service

RECOMMENDED

Robert Johnson

DIRECTOR OF ENGINEERING

APPROVED

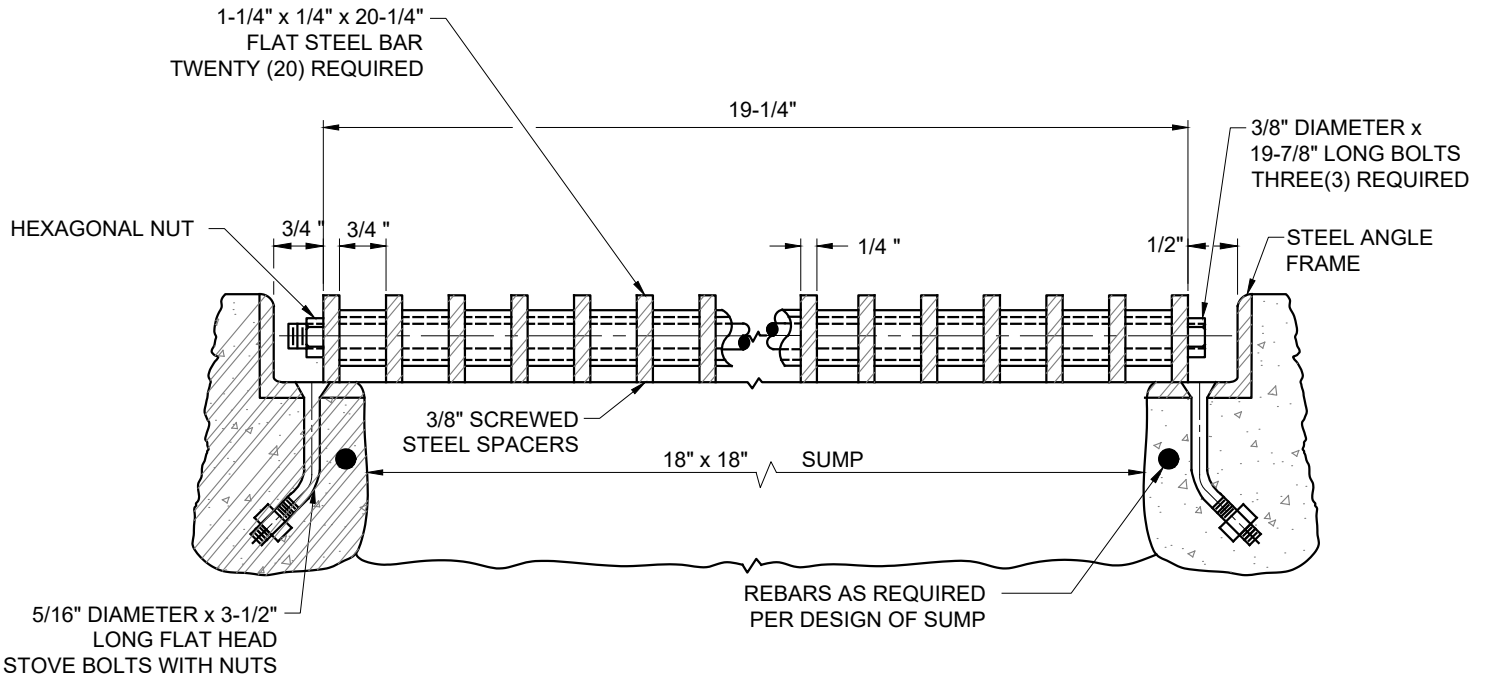
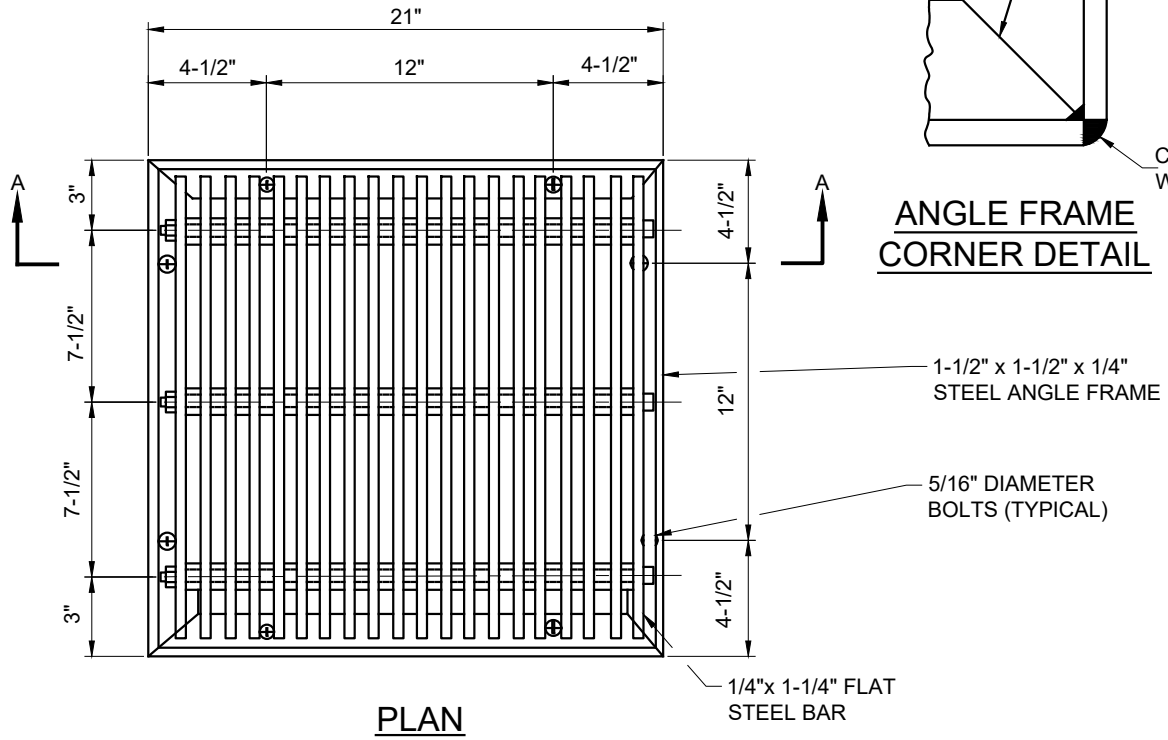
Debra Paul

DEPUTY GENERAL MANAGER / CHIEF ENGINEER

DATE: 02-2020

SCALE: N.T.S.

SHEET 2 OF 3



SECTION A-A

NOTE:

ALL METAL SURFACES INCLUDING ANGLE FRAME AND STOVE BOLTS SHALL BE GALVANIZED.

WATER MAINTENANCE HOLE - REMOVABLE GRATING

WDS - 210



RECOMMENDED
Robert Johnson
DIRECTOR OF ENGINEERING

APPROVED
Shirley Paul
DEPUTY GENERAL MANAGER / CHIEF ENGINEER

DATE: 02-2020

SCALE: N.T.S.

SHEET 3 OF 3