

NOTES:

1. WHEN DIRECTED BY LBWD AND PRIOR TO FINAL PAVING, REMOVE GATE BOX AND PLACE GATE BOX LID ON POLYVINYL CHLORIDE PIPE RISER.
2. REFER TO SPECIFICATION SECTION 09 90 00 FOR COATING OF STEEL PIPE.

AIR RELIEF ASSEMBLY - OPTION 1

WDS - 212



Long Beach Water
 Exceptional Water • Exceptional Service

RECOMMENDED

Robert Johnson

DIRECTOR OF ENGINEERING

APPROVED

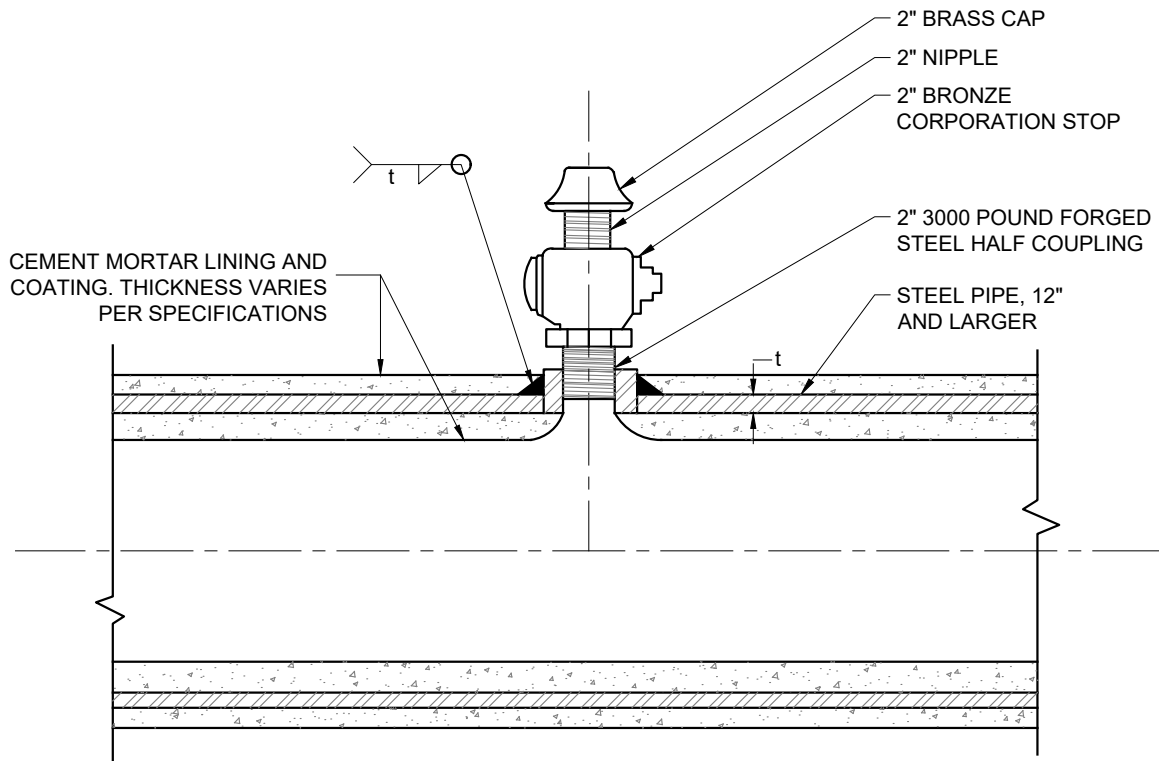
Debra Paul

DEPUTY GENERAL MANAGER / CHIEF ENGINEER

DATE: 02-2020

SCALE: N.T.S.

SHEET 1 OF 5



NOTE:

BRASS CAP SHALL BE IN PLACE AT ALL TIMES.

AIR RELIEF ASSEMBLY - OPTION 2

WDS - 212



Long Beach Water
 Exceptional Water • Exceptional Service

RECOMMENDED

Robert Johnson

DIRECTOR OF ENGINEERING

APPROVED

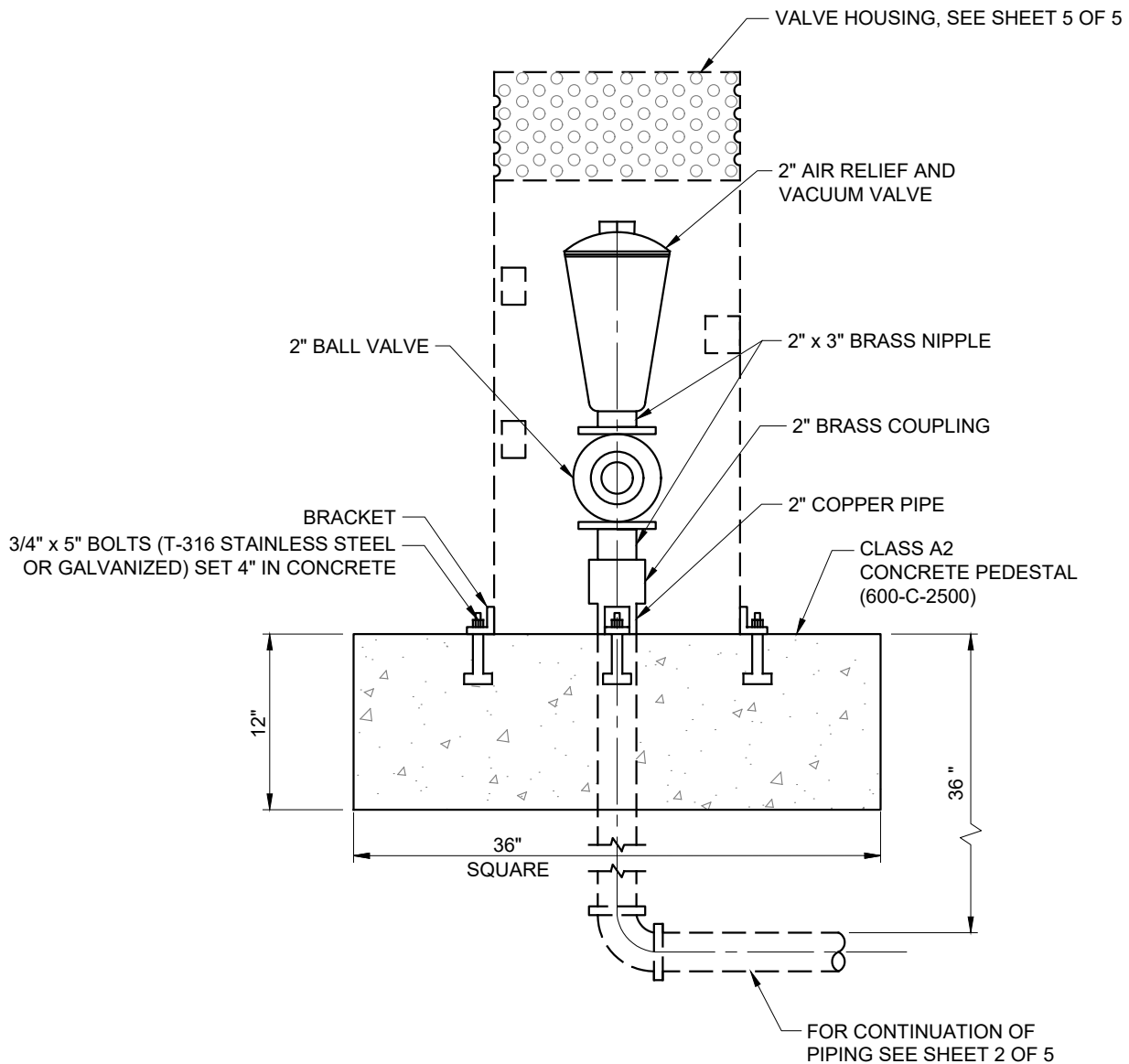
Shirley Reed

DEPUTY GENERAL MANAGER / CHIEF ENGINEER

DATE: 02-2020

SCALE: N.T.S.

SHEET 2 OF 5



2" AIR RELIEF AND VACUUM VALVE ASSEMBLY

THIS DETAIL FOR BACK OF CURB LINE APPLIES IF PLANS INDICATE IT TO BE A 2" AUTOMATIC AIR RELIEF AND VACUUM VALVE ASSEMBLY

NOTES:

1. ALL PIPING TO BE COPPER PIPE.
2. COAT ALL FITTINGS, VALVES, AND BOLTED COUPLINGS WITH NO-OX-ID A SPECIAL COMPOUND AND WRAP WITH NO-OX-ID TAPE.
3. REFER TO SPECIFICATION SECTION 09 90 00 FOR COATING OF VALVE HOUSING.
4. VALVE HOUSING SHALL BE SAND BLASTED INSIDE AND OUTSIDE BEFORE PAINTING OUTSIDE PER SPECIFICATION SECTION 09 90 00.

AIR RELIEF ASSEMBLY - OPTION 3

WDS - 212



Long Beach Water
Exceptional Water • Exceptional Service

RECOMMENDED

Robert Johnson

DIRECTOR OF ENGINEERING

APPROVED

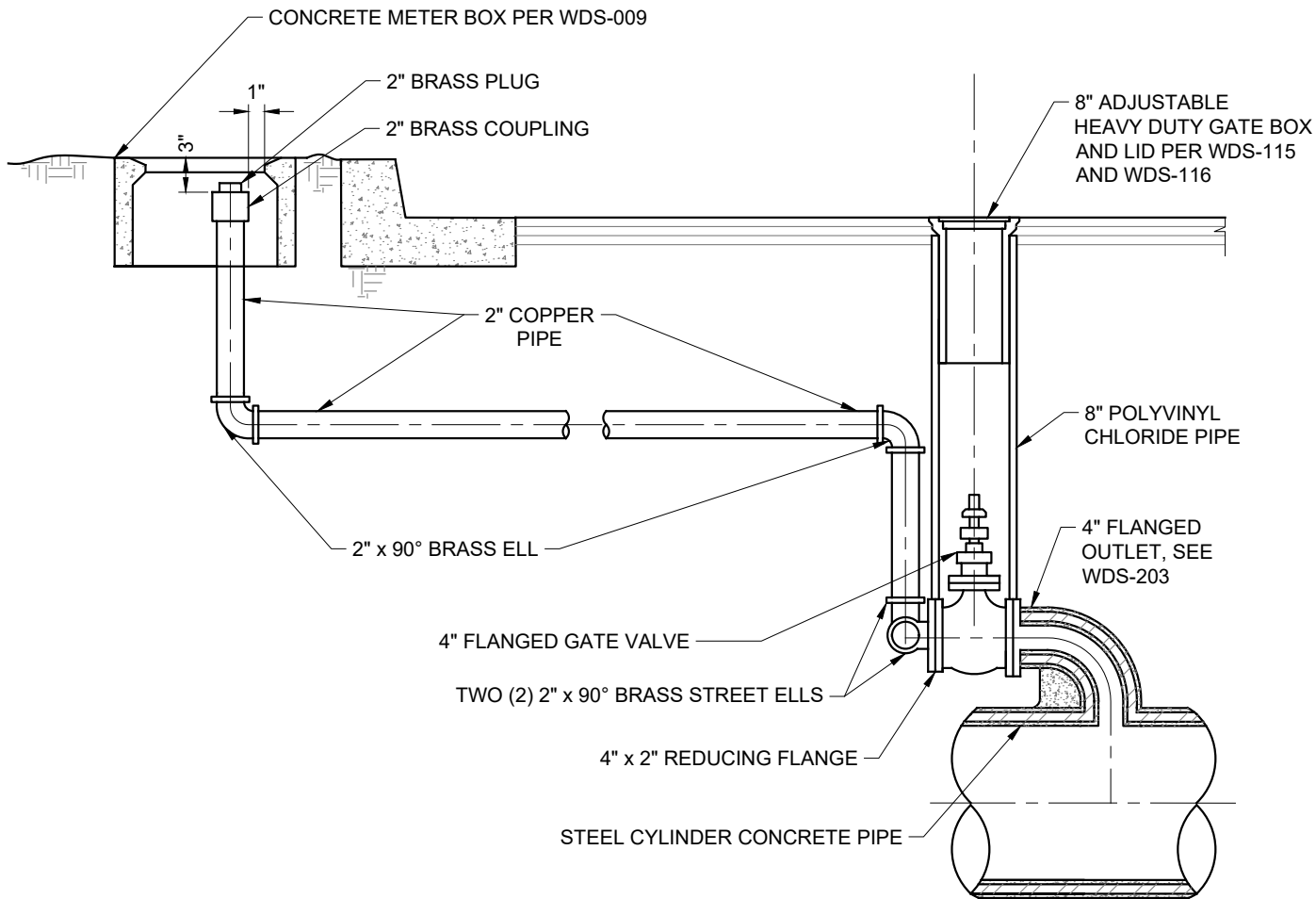
Shirley Paul

DEPUTY GENERAL MANAGER / CHIEF ENGINEER

DATE: 02-2020

SCALE: N.T.S.

SHEET 3 OF 5



2" AIR RELIEF ASSEMBLY

AIR RELIEF ASSEMBLY - OPTION 4

WDS - 212



Long Beach Water
Exceptional Water • Exceptional Service

RECOMMENDED

Robert Johnson

DIRECTOR OF ENGINEERING

APPROVED

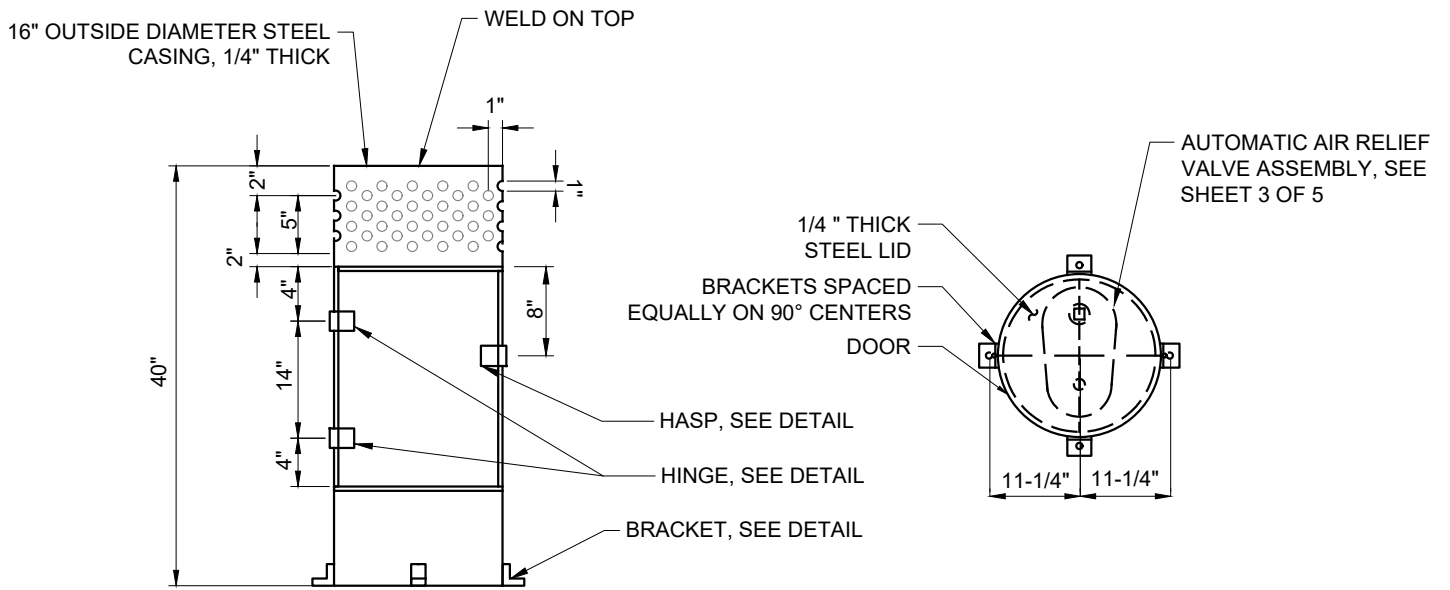
Debra Paul

DEPUTY GENERAL MANAGER / CHIEF ENGINEER

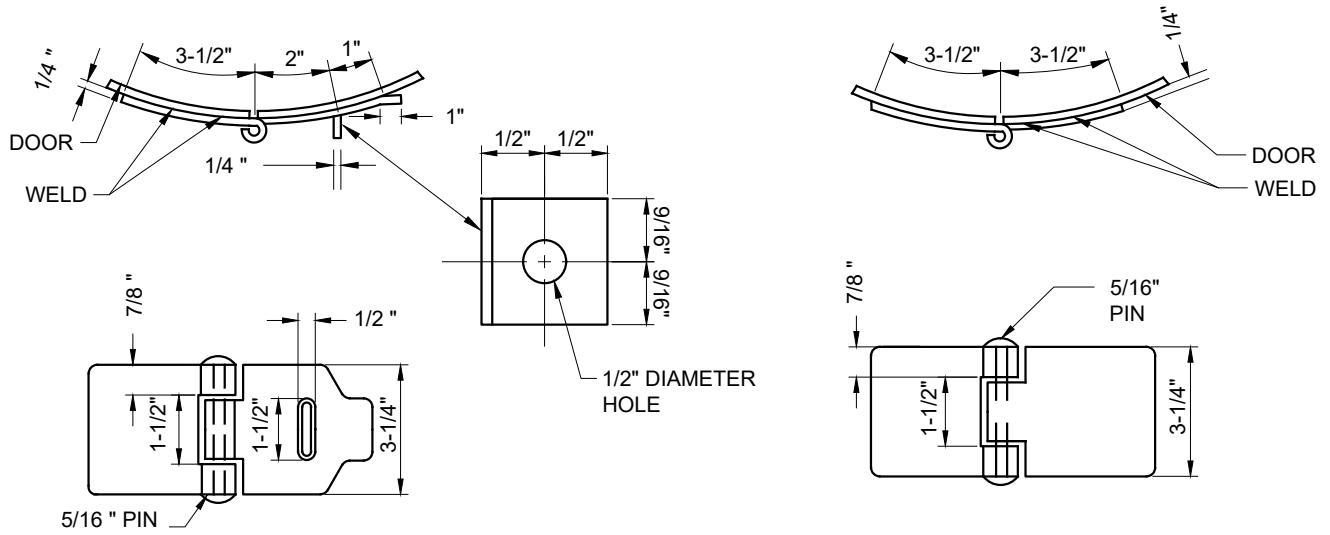
DATE: 02-2020

SCALE: N.T.S.

SHEET 4 OF 5

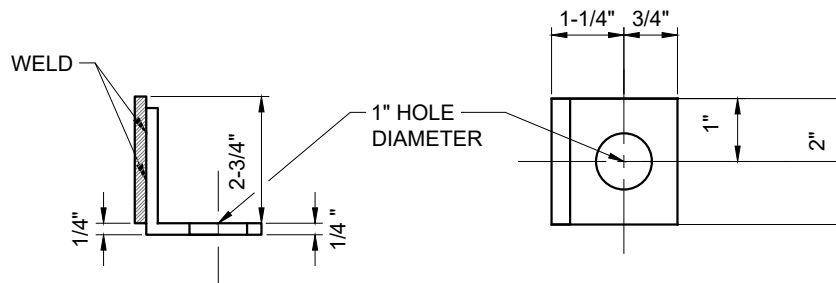


VALVE HOUSING



HASP DETAIL

HINGE DETAIL TWO (2) REQUIRED



BRACKET DETAIL FOUR (4) REQUIRED

AIR RELIEF ASSEMBLY - VALVE HOUSING

WDS - 212



Long Beach Water
Exceptional Water • Exceptional Service

RECOMMENDED

Robert Johnson
DIRECTOR OF ENGINEERING

APPROVED

Shirley Paul
DEPUTY GENERAL MANAGER / CHIEF ENGINEER

DATE: 02-2020

SCALE: N.T.S.

SHEET 5 OF 5